



STORM Basin Mixer VST20



TECHNICAL DETAILS

- 1/2" (15mm) Inlet

- All Pressures

- Max. Pressure 500kPa

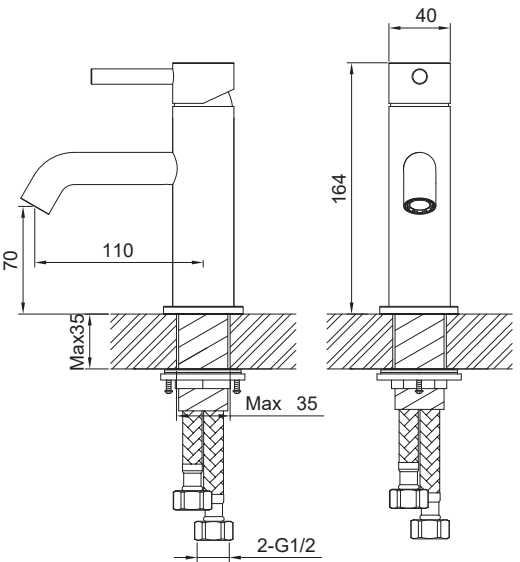
- Min. Pressure 35kPa

- Max. Temp 65deg.C

- WELs Rating: Mains 5 Star; 5.0L/min

- Low/Unequal 4 Star; 6.0L/min

- Spout Reach: 110mm



FINISH	CODE
BRUSHED COPPER (PVD)	VST20BCU
BRUSHED GUNMETAL (PVD)	VST20BG
CHROME	VST20CH
STAINLESS STEEL	VST20SS