



STORM Gooseneck Sink Mixer - Cold Start VST11



TECHNICAL DETAILS

1/2" (15mm) Inlet

All Pressures

Max. Pressure 500kPa

Min. Pressure 35kPa

Max. Temp 65deg.C

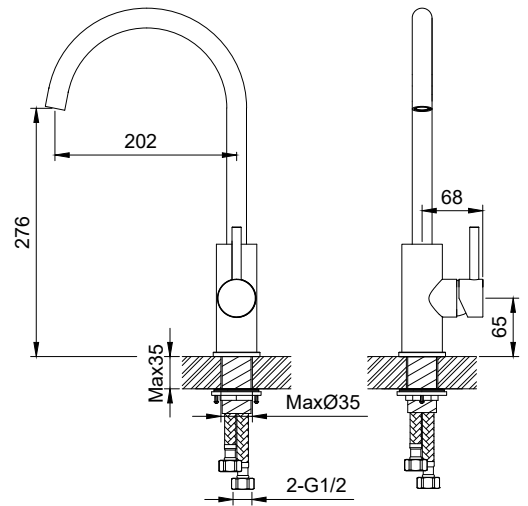
WELs Rating: Mains 4 Star; 7.0L/min

Low/Unequal 4 Star; 6.0L/min

360degree Swivel Spout

Cold Start Technology

304 Stainless Steel Construction



FINISH	CODE
BRUSHED COPPER (PVD)	VST11BCU
BRUSHED GUNMETAL (PVD)	VST11BG
CHROME	VST11CH
STAINLESS STEEL	VST11SS

*Specifications and dimensions correct at time of publication and are subject to change without notice. Please refer to physical product prior to installation.