



DUX ALWAYS HOT CONTINUOUS FLOW CONDENSING AND NON-CONDENSING ACCESSORIES

CONTROLLERS

Advanced controllers allowing you to select the hot water temperature you prefer – it's a convenient addition as well as being a welcome safety feature for families. These controllers can be used on all Dux Always Hot continuous flow water heaters.



MAIN CONTROLLER
CM1D



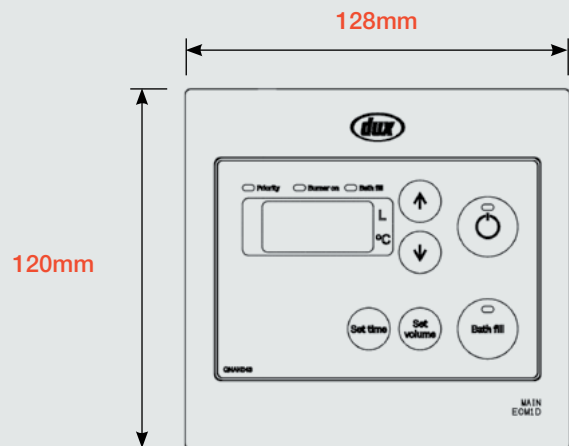
BATHROOM CONTROLLER
CB1D



BATHROOM 2 CONTROLLER
CB2D

PRODUCT BENEFITS:

- Convenient 'Bath Fill' function
- Auto-stop water outlet volume (40L-650L)
- Convenient – select the temperature of your hot water.



Note: Refer to Installation Manual on which combination of controllers work together.

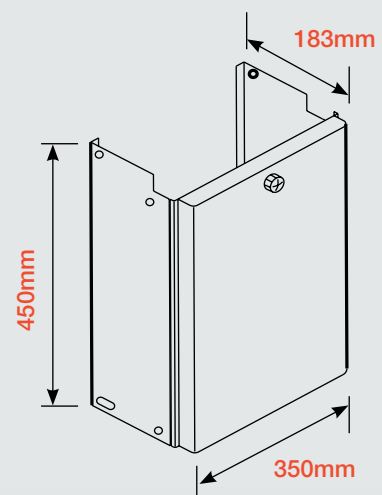
PIPE COVER



PRODUCT BENEFITS:

- Pipe covers conceal pipes and valves for a nice, tidy finish on the water heater.
- Pipe covers are supplied in the same colour as the continuous flow water heater
- Can be used with all Dux Always Hot continuous flow water heaters.

H33-K450



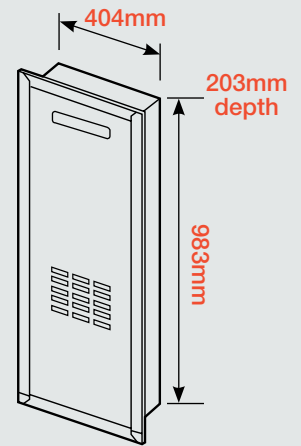
RECESS BOX



PRODUCT BENEFITS:

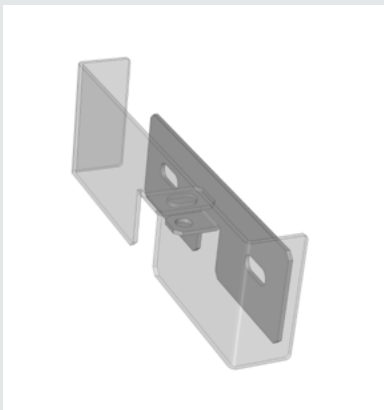
- Allows water heater to be installed recessed into the wall, providing a flush finish when installed
- Can be used on Dux Always Hot continuous flow water heaters.

DUXRBOX26
suits 26ENA6L
and 26ENA6N



Note:
Dimensions above
show the cut-out
dimensions only.

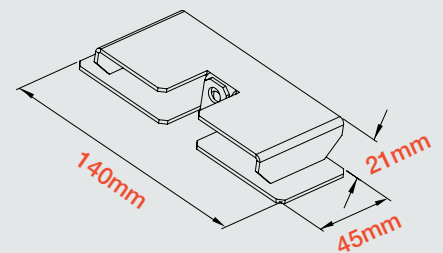
ANTI THEFT BRACKET



PRODUCT BENEFITS:

- Secures your Dux Always Hot Water heater from theft
- A bracket fits over the water heaters pipes, preventing the unit from being removed from the wall without irreparable damage.

H1210



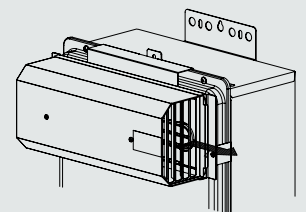
FLUE DIVERTERS



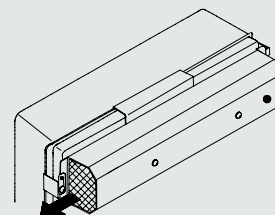
PRODUCT BENEFITS:

- Manufactured from durable stainless steel
- Designed to divert exhaust in a sideways direction away from windows, doors, fences, trees or other structures
- Allows the water heater to operate efficiently ensuring the exhaust is not being obstructed.

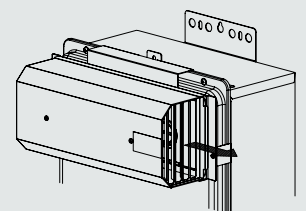
CFL38



CL18



CFL39



FLUE DIVERTER PART NO.	CONDENSING MODELS		NON-CONDENSING MODELS		
	Model Number	Flue Diverter Part Number	Model Number	Flue Diverter Part Number	Model Number
	21ECB	CF-S37	26ECB	CF-S37	17ENB
					21ENB
					26ENA
					CF-L39
					CF-L38
					CF-L18

*Full warranty terms and conditions are in the product's Owners Manual, visit www.dux.com.au/warranty-terms for full details and conditions which apply.

© Dux Manufacturing Limited ABN 19 077 879 844. Lackey Rd, PO Box 209 Moss Vale, NSW 2577. The information supplied was correct at time of printing. Specification and materials may change without notice. © and ™ Trademarks of Dux Manufacturing Limited.

SPK
Industries



For hot water solutions call (09) 271 3720 or email sales@spk.co.nz