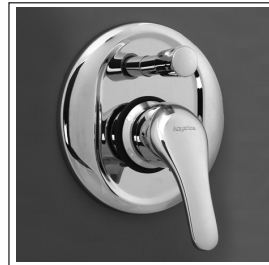
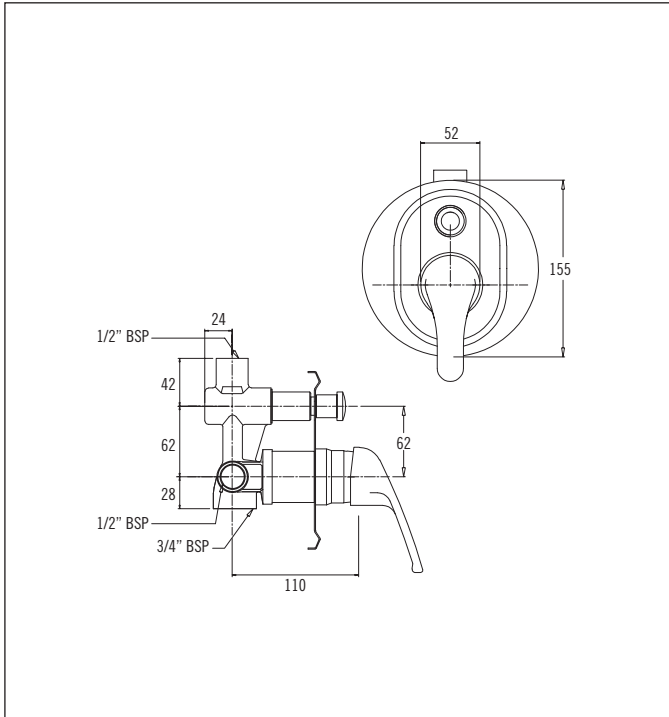


Shower Mixer with Bath Divertor



Code: SM SHMBD CP
 Finish: Chrome, Chrome/Gold

- For Chrome/Gold add OPTION GOLD SGL LEVER to code

Faceplate Diameter: 155mm
 Barrel Diameter: 46mm
 Divertor barrel diameter: 26mm
 Centre to centre (mixer to diverter): 62mm

Backset: (Mounting board to front of lining)
 Minimum: 50mm
 Maximum: 70mm
 Recommended: 60mm

Installation Hole Diameter: Minimum Length: 98mm
 Minimum Width: 145mm

Requires 3 wing back shower nipples for mounting (not shown on line drawing)

Cartridge: Mondo 40K Flat base

Divertor type: Auto-lockable
 Operation: Pull to divert
 Turn to lock

Default outlet: Lower 3/4" BSP Female

Equal pressure systems only

Recommended Pressure
 Operational Range:
 Minimum: 100 kPa
 Recommended: 600 kPa
 Never to Exceed: 1000 kPa

Maximum Operating
 Temperature: 70°C

Aquatica Warranty

Aquatica NZ Limited offer, from the date of purchase, a 2 year warranty on handshowers, a 5 year warranty on tapware and accessories and a lifetime warranty on stainless steel sinks.

Aquatica NZ Limited warrants that only high quality workmanship and materials have been employed in the manufacture of its tapware, accessories and stainless steel products. If any faulty workmanship or materials is proven during the warranty period, Aquatica NZ Limited will at its own cost repair, or at its option replace, the faulty product. The guarantee is non-transferable and proof of purchase is required.

The use of spray or abrasive cleaners of any kind will void the warranty. (Tapware should only be cleaned with a mild detergent and a soft damp cloth).

Failure to use an in-line strainer or filter on lines to tapware incorporating a ceramic cartridge or ceramic disc mechanism will also void the warranty. In the Bay of Plenty (or any area with a high mineral content) failure to install a 1 micro carbon block cartridge may void the warranty.

Every effort has been made to show the products as they will be sold, however, all models and specifications are subject to change without notice.

Aquatica NZ Limited

9 Saunders Place, Avondale, Auckland.
 Tel: 09-828 2068, Fax: 09-828 2069
 Email: info@aquatica.co.nz or
 visit our website: www.aquatica.co.nz