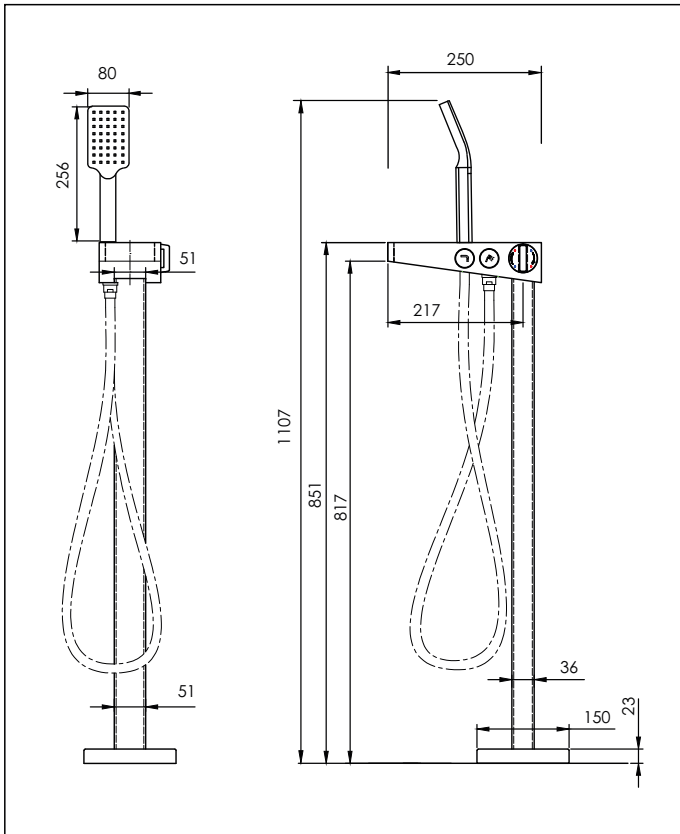


# Mia

## Floor Standing Bath Filler & Hand Shower

aquatica



### Code: MI BSETFLOOR

**Finish:** Chrome / Black

**Spout:** Cast, Fixed

**Water Outlet:** Waterfall slit for bath filler or handshower

**Water Inlets:** 1/2" BSP male on mounting unit

**Handshower Head:** Multi spray chrome

**Handshower Hose:** 1.5m narrow bore hose

**Mounting Hardware:** Base bracket with 4 masonry bolts  
(to be mounted below finished floor level)

**Installation Hole:** 135mm x 135mm x 35mm depth (minimum)

**Cover:** 150mm x 150mm x 23mm

**Reach:** 217mm

**Height:** 1107mm overall (817mm at aerator)

**Divertor type:** Two buttons: push to divert through bathfiller or push to divert through handshower

**Cartridge:** On/Off 40mm flat base

**Max water flow from bath filler:** @ 35kPa 2 l/min

**Max water flow from handshower:** @ PCW 9 l/min (+-) 10% nominal flow from 100 kPa onwards

**Feature:** Complete with double one way valve on handshower outlet

### Suitable for mains pressure only

Recommended Operational Pressure Range: 150 - 600 kPa

Maximum Operating Temp: 80°C Never to Exceed: 1000 kPa



KIWI OWNED COMPANY

NZ

• DESIGNED  
• ASSEMBLED  
• TESTED



**Aquatica NZ Limited**

9 Saunders Place,  
Avondale, Auckland.

Tel: 09-828 2068,

Fax: 09-828 2069

Email: [info@aquatica.co.nz](mailto:info@aquatica.co.nz)

or visit our website:

[www.aquatica.co.nz](http://www.aquatica.co.nz)

© copyright Aquatica 2019

**Please note:** Specifications are subject to change without notice. It is the responsibility of the installer to check the measurements of the physical product before installation