

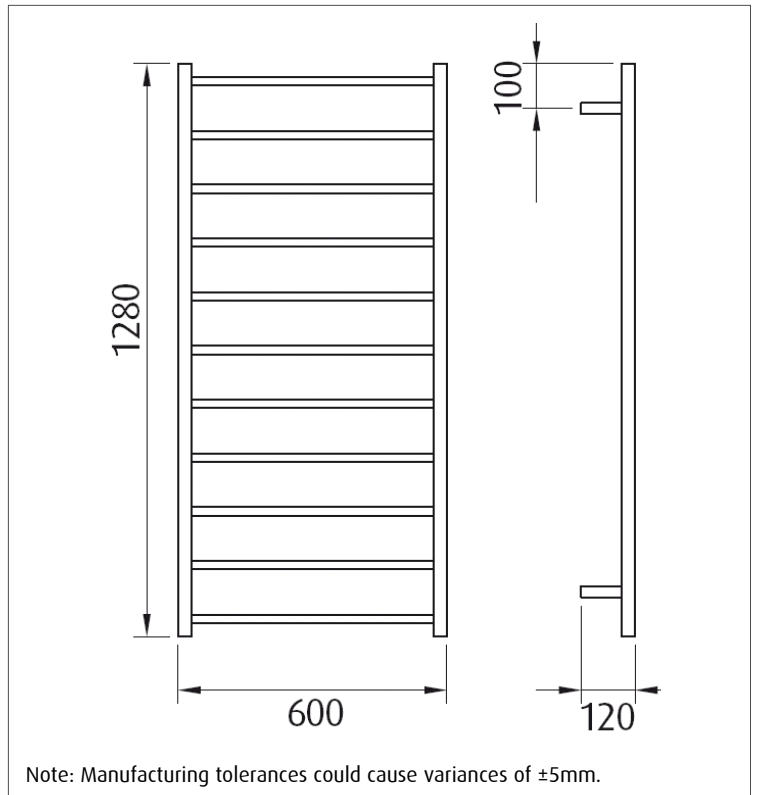
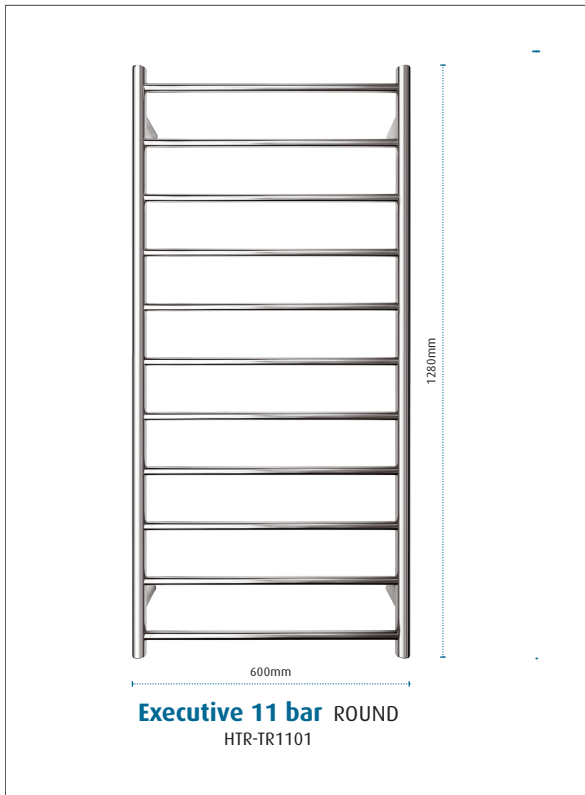
Executive 11 bar ROUND

Product code : HTR-TR1101

600(w) x 1280 (h) x 120 (d) mm

Features:

- 11 bars
- Hand polished mirror finish
- High grade stainless steel
- Universal cable
- Concealed wiring kit included
- Easily installed into new and existing homes.



Width centre: 570mm Vertical centre: 1080mm



Additional Information

- 110 watts
- 230-240Volts, 50Hz single phase
- Class 1 appliance – requires an earth connection
- This rail should be mounted vertically with the cord exiting from the base.
- It should be positioned at least 600mm above the floor.
- Ingress Protection Rating: IP45– Splashproof