

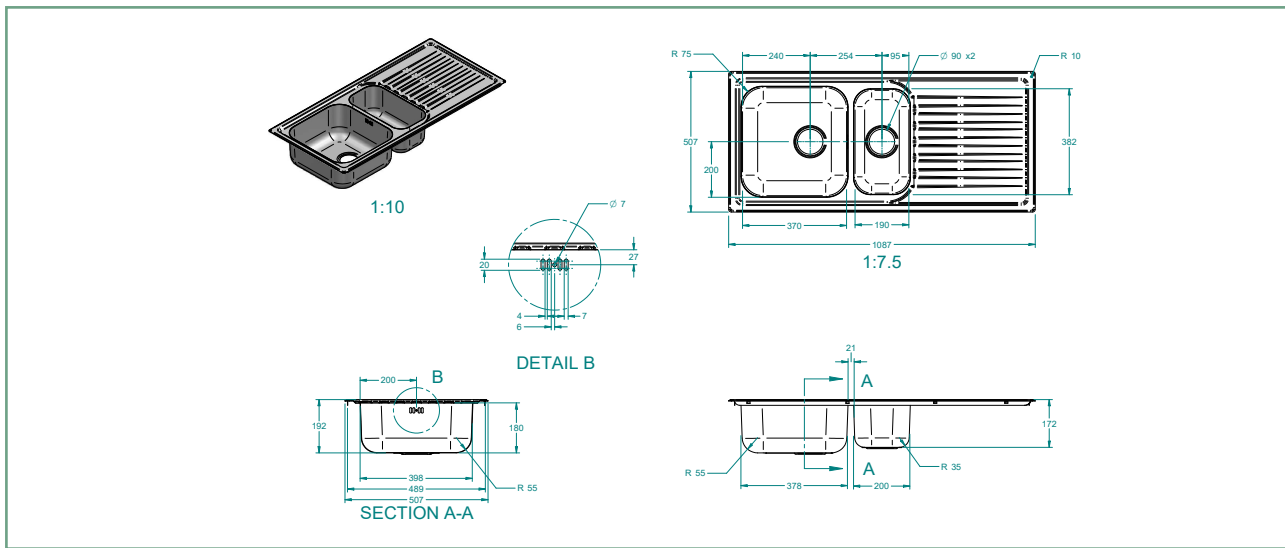
EW201 WENTWORTH BOWL & 1/2 WITH DRAINER

The Mercer EW Series stainless steel bowl and drainer are a stylish addition to your project.

The EW201 double bowl and drainer is reversible and has an easy clean unobtrusive laser edge.

It also comes standard with a 90mm round basket waste and a main bowl overflow.

A range of matching accessories are also available for the EW201 including a food board and dishrack.



SPECIFICATIONS

Code: EW201

Type: Top mount, Undermount, Weld in

Bowl size: 380 x 405 x 180mm + 200 x 380 x 180mm with 30mm bridge

Bowl configuration: Bowl & 1/2 with drainer

Overall size: 1090 x 510 x 180mm

Material: Stainless steel

FEATURES

2 x 90mm round basket waste

Overflow main bowl 15l/min capacity

Laser edge flange

Sound deadening

25mm corner radius

Reversible

ASSOCIATED PRODUCTS



AD175
Dishracks



AL041
Lotion Dispenser



AF275
Chopping Boards