

# Cangas Slim

vcbc

## DESCRIPTION

Cangas Slim 1000 Wall-Hung Vanity - 2 Drawers, White / Melamine

## PRODUCT CODE

CAS100D2WH /  
CAS100D2WHM



## FEATURES

- Dimensions: W1003 x H640 x D355 mm
- Available in widths 600, 800 and 1000 (single bowl).
- Slim depth of only 350mm, with offset right tap.
- Ceramic top with overflow from Europe.
- Available in White or Melamine.
- White Paint - The paint used on our products is polyurethane or UV based. It is five times harder and more durable than lacquer finishes.
- Melamine - Our wood grain melamine is a low-pressure laminate.\*
- Soft-close drawers. New drawer heights offer storage variations.
- Rail options include Silver or Black Aluminium rail. Semi handle (H2) available at an additional cost.

## PAINT / MELAMINE FINISHES\*



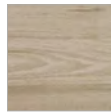
White Paint



Nordic Ash



Driftwood



French Oak



Manhattan  
Elm



Southern  
Oak



Charred  
Oak

## NOTES

\*Non-stock item.

Excludes tap ware & accessories. See reverse page for technical drawings.

**MICHEL CÉSAR**  
**VCBC**  
**BURLINGTON**  
**LAUNDRY**

/ WHERE BATHROOMS  
& LAUNDRIES  
COME TOGETHER  
BEAUTIFULLY /

info@smail.co.nz  
bathco.co.nz

4-8 Ace Place  
Kingsland  
Auckland 1021  
New Zealand

P +64 9 309 9109  
F +64 9 309 9343

86 Wigram Road  
P.O. Box 8644  
Christchurch 8025  
New Zealand

P +64 3 343 0969  
F +64 3 343 0967

**BATH/**  
**CO/**

# Cangas Slim

vcbc

## DESCRIPTION

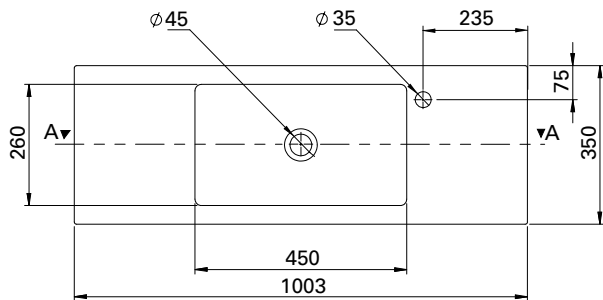
Cangas Slim 1000 Wall-Hung Vanity - 2 Drawers, White / Melamine

## PRODUCT CODE

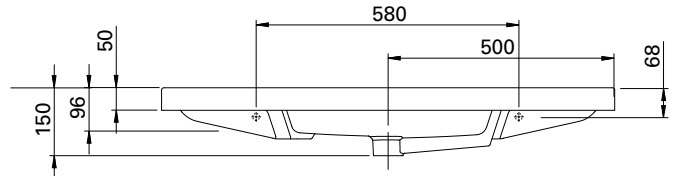
CAS100D2WH /  
CAS100D2WHM

## TECHNICAL DRAWINGS

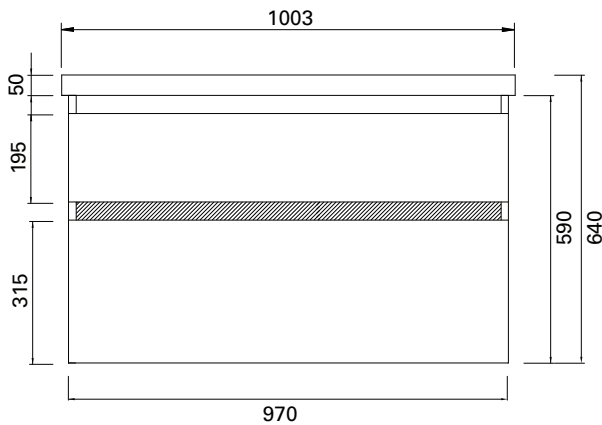
Top



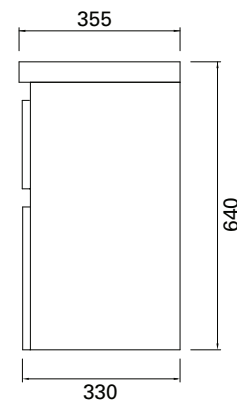
Back of Basin (AA)



Front



Side



## NOTES

Drawing indicates the technical measurement only and is not a reflection of how the unit will look. Sizes are nominal only. All drawings in millimeters. Drawings not to scale.