

**Burns and Ferrall Locations**

**AUCKLAND**  
 12 Reg Savory Place  
 East Tamaki, Auckland

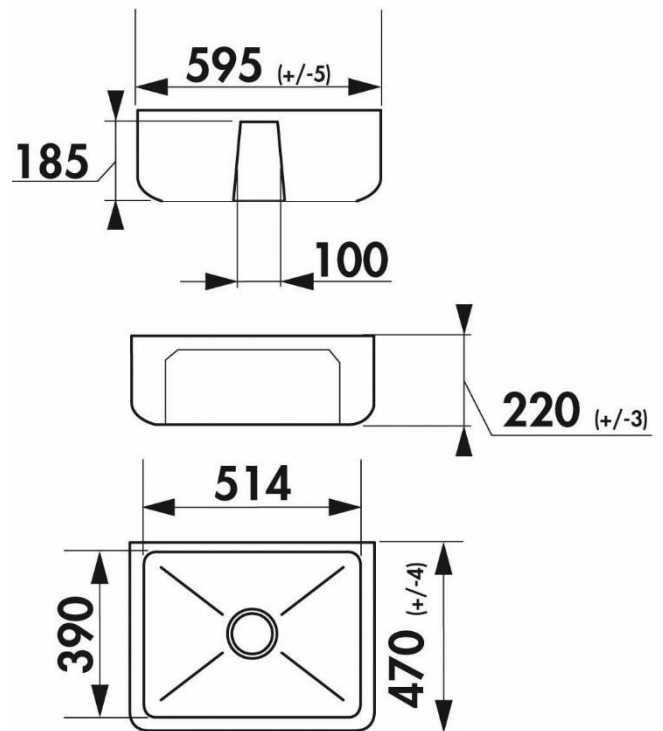
0800 697 465

**WELLINGTON**  
 122-124 Tory Street  
 Te Aro

**HAMILTON**  
 60 Alexandra Street  
 Central

**CHRISTCHURCH**  
 345 St Asaph Street  
 Christchurch

**Product Specification Sheet  
 HENRI-I**



**Henri I Butler Sink**

Fireclay Single Butler Sink with Alcove Facade

Models

03 HENRI-I *White*

Material & Finish

Fireclay, Porcelain Glaze

Overall Dimensions W x D x H

595 x 470 x 220mm\*

Waste

90mm

Bowl Dimensions W x D x H

514 x 390 x 185mm\*

Minimum Cabinet Size

595mm

E&OE – it is recommended all measurements are taken directly from the product. Specification subject to change without notice, always consult the literature supplied with the product. Coloured images are indicative only.