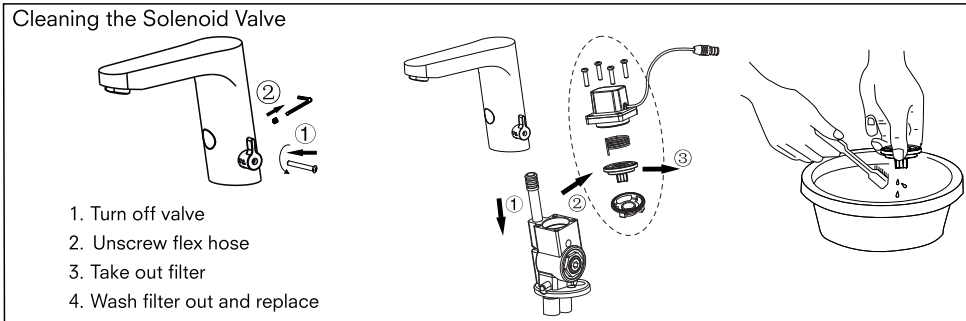


Troubleshooting:

Description	Cause	Treatment
No water	The battery is flat Water supply Water supply blocked Water pressure too low	Change the battery Check the supply Check the inline filter Increase the water pressure
Water will not turn off	Dirty sensor window	Clean the sensor window
Insufficient flow	Water supply pressure is adjusted too low. Inline filter is blocked	Check the supply Check the inline filter
Too much water	Water supply adjusted too high.	Adjust the supply
Short battery life	Incorrect battery	Use 4 x AA / IEC-LR6 1.5V
Indicator light off	Light broken Circuit board or signal line wet The battery is flat Poor battery connection	Change the light or circuit board Dry the board Replace batteries Check the connection

Care and Cleaning:

Never use abrasives or abrasive cleaning agents to clean this product. Clean regularly with contamination free warm soapy water and a damp soft cloth.



Methven warrants this product against manufacturing defects and that it is suitable for use under the general operating conditions specified in this instruction sheet. However, regional regulations apply and may affect your warranty. Please refer to www.methven.com or call customer service for full details.

New Zealand
0800 804 222

Australia
1300 638 483

UK
0800 195 1602

430001

ISSUE A

Sensor Basin Mixer Installation Guide

Technical Specifications:

Operating Pressure:

Min: 150kPa/1.5bar
Max: 700kPa/7bar*
Optimum: 250kPa/2.5bar

Operating Temperature:

Hot: Max 55°C*
Cold: Min 5°C
Recommended: 38°C

Inlet Connection:

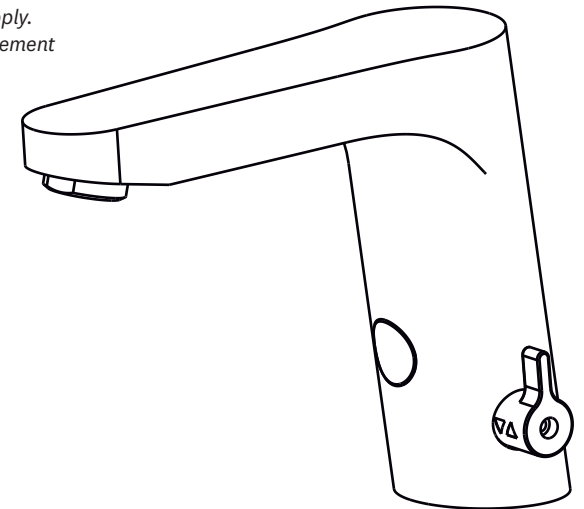
½" BSP female

Power:

DC: 6V (4 AA alkaline batteries)
AC: 220V - 240V; 50/60Hz
Consumption: AC:<5W, DC:<0.5mw

Sensing Distance: 10 - 30cm

* Regional specific regulations apply.
Please refer to your warranty statement
at www.methven.com

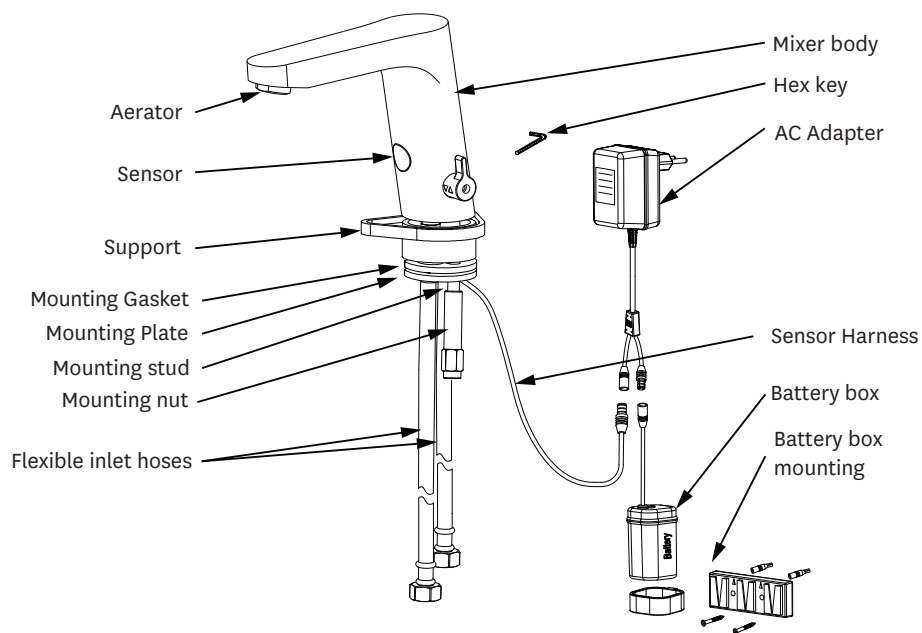


METHVEN
www.methven.com

IMPORTANT: Please read all of the instructions before installation.

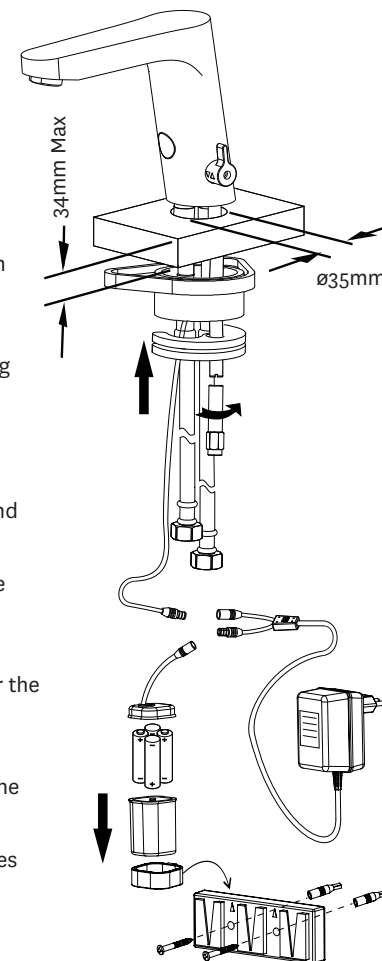
General:

- Methven recommends this product is installed by a licensed plumber in compliance with all relevant regional regulations.
- Do not hydrostatic test the installation with this mixer installed. Damage to the ceramic cartridge may occur.
- All pipe work must be thoroughly flushed prior to the installation of the mixer.
- In-line filters must be fitted on both hot and cold supplies to prevent foreign particles damaging the ceramic cartridge.
- Do not remove the ceramic cartridge from the mixer when installing.
- After installation all connections must be checked for leaks.
- All outlets used primarily for personal hygiene shall deliver water at a safe temperature as per regional regulations.
- This mixer is not recommended for use in uncontrolled heating systems such as wet-backs or solar heating units unless a suitable tempering valve is fitted.
- If limited water flow is experienced, locate aerator and filter washers and clean away foreign material as required.
- It is the responsibility of the installer to ensure a waterproof seal is achieved between the product and mounting surface. If in doubt about the quality of the seal, remove the product and reinstall using silicone to ensure a seal is achieved.



Installation:

1. Cut a single 35mm diameter hole into the mounting surface.
2. Unscrew the mounting nut and remove the mounting plate and mounting gasket.
3. Insert o-ring into the groove in the bottom of the mixer body and connect cold hose.
4. Feed the mixer's hose and harness through the hole cut in the mounting surface. Connect hot hose.
5. Slide the support, mounting gasket, mounting plate and mounting nut onto the mounting stud under the mounting surface.
6. Position the mixer as desired and tighten in place from under the mounting surface.
 Note: Ensure that the base O-ring seals completely around the hole in the mounting surface.
7. Open the battery box. Insert 4 x 1.5V AA batteries into the battery box, confirm the correct polarity and close the battery box.
8. Position the battery box mounting, in a dry location, near the spout. Ensure that all connections have easy access and install the battery box mounting securely.
9. Connect the sensor harness and the battery harness to the AC adapter.
10. Connect the inlet hoses to the hot and cold water supplies and check for leaks.
11. Plug the AC adapter into the 220V AC supply
12. Remove the cover tape from the mixer sensor.



To reset the sensor distance:
 Disconnect the sensor harness for 30 seconds. Reconnect it and as sensor light flashes, place hand in front of the sensor at the desired distance until it stops flashing. Repeat as required.

