

PLUMBERS INSTALLATION AND MAINTENANCE
INSTRUCTIONS

G SERIES - E TOUCH MIXER / TAP

ELECTRONICALLY OPERATED MIXER / TAP



G Series E Touch Basin Tap



G Series E Touch Basin Mixer

Caroma[®]

INDEX

- 3** IMPORTANT
- 4-5** TECHNICAL DATA
- 6** OPERATION
- 7-8** PACK CONTENTS
- 9** PRE-INSTALLATION INFORMATION
- 10-12** MIXER OR TAP INSTALLATION
- 13-15** FLOW TIME ADJUSTMENT
- 16** BATTERY REPLACEMENT INSTRUCTIONS
- 17** MAINTENANCE
 - Filter cleaning instructions
 - Care and cleaning of chrome and special finishes
- 18** SERVICE CHECK LIST
- 19** SPARE PARTS LIST

IMPORTANT

PRESSURE & TEMPERATURE REQUIREMENTS

1. Hot and cold water inlet pressures should be equal.
2. Static inlet pressure range: 150-800 kPa - New Regulation: 500 kPa maximum static pressure at any outlet within a building (Ref. AS/NZS 3500.1-2003, Clause 3.3.4)
3. Maximum hot water temperature: 70°C

DECK REQUIREMENTS

1. Deck thickness: 35mm maximum
2. Tap body hole (in deck): Ø34-Ø36mm

POWER REQUIREMENTS

Battery operation: IP67 Battery Back Up Box (9V batteries not included)

Mains operation: 240V 50Hz 3 pin socket

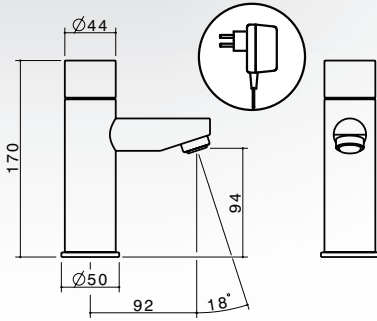
IMPORTANT INFORMATION

1. Not suitable for gravity feed systems
2. Tapware is fitted with a flow regulated aerator insert. This low flow rate may not be suitable for connection to some instantaneous Gas Water Heaters, some Tempering Valves, some Solar Water Heaters & some Thermostatic Mixing Valves. Check with the manufacturers of these products.
3. Isolating stop taps must be fitted to the hot & cold water supply connections. (Part No. 842018C - Mini cistern 1/4T)
4. All pipework must be thoroughly flushed prior to installation, as foreign materials may block the flow regulating device and reduce the flow of water.
5. Flexible tails have a left hand thread connection to tap/mixer body. Rotate clockwise to remove.

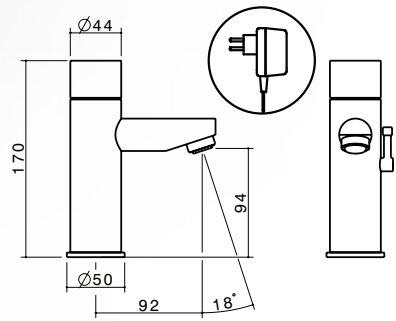
TECHNICAL DATA

1. Activation: Touch (Piezo technology)
2. Default flow time: 8 seconds (Adjustable)
3. Flow time range: 1- 60 seconds (Programmable)

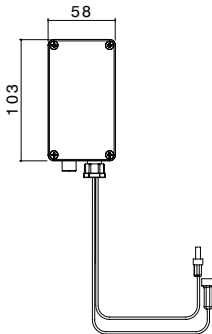
TECHNICAL DATA



G-Series E Touch Basin Tap G16002E6A



G-Series E Touch Basin Mixer G16000E6A



IP67 Battery Back Up Box SP63020

OPERATION



Battery and Mains Options

To operate this mixer or tap, simply touch the designated area at the piezo cap. Default flow time is 8 seconds.

If you do not need more water, just touch the designated area again to stop the water flow before the default flow time has passed.

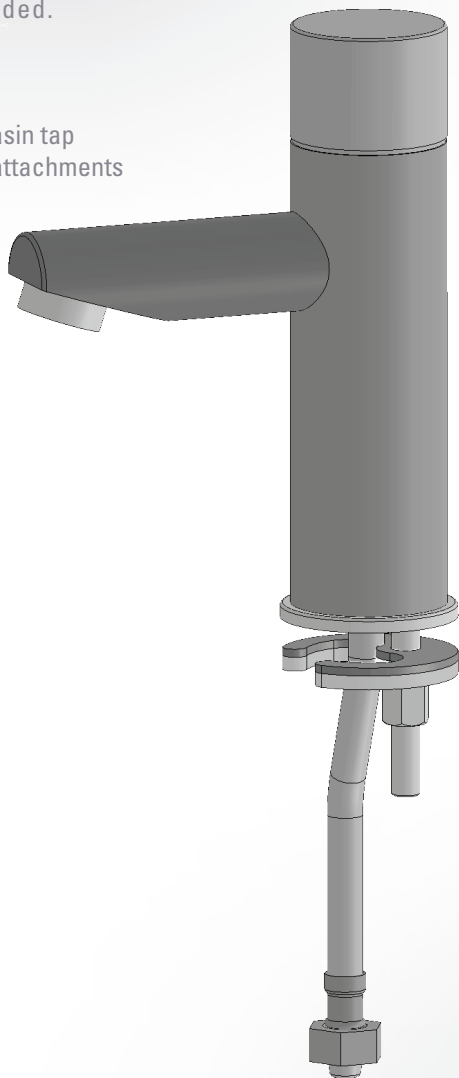


PACK CONTENTS

E TOUCH BASIN TAP

Familiarise yourself with the part names and confirm that the parts are included.

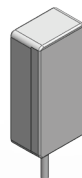
1x Basin tap
and attachments



1x Filter
washer

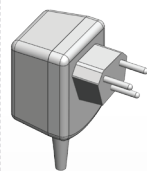


1x Allen key



BATTERY
OPTION

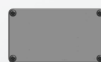
9V Battery box



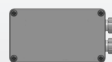
MAINS
OPTION

Transformer

OPTIONAL:



IP67 Battery Box



IP67 Transformer Box

PACK CONTENTS

E TOUCH BASIN MIXER

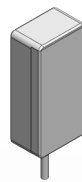
1x Mixer
and attachments



2 x Filter
washers

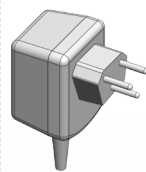


1x Allen key



BATTERY
OPTION

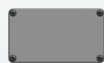
9V Battery box



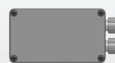
MAINS
OPTION

Transformer

OPTIONAL:



IP67 Battery Box



IP67 Transformer Box

PRE-INSTALLATION INFORMATION

CHECK CONTENTS

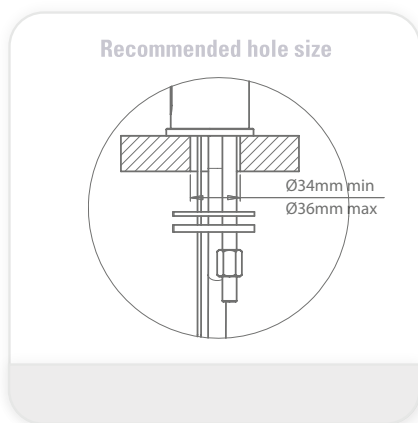
Separate all parts from packaging and check each part with the Pack Contents section.

Make sure all parts are accounted for before discarding any packaging material. If any parts are missing, do not attempt to install your mixer or tap until you obtain the missing parts.

PREPARATION FOR INSTALLATION:

Important:

All pipework must be thoroughly flushed prior to installation, as foreign materials may block the flow regulating device and reduce the flow of water.

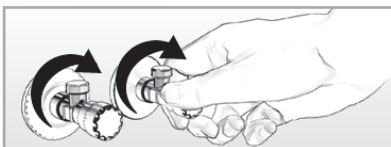


MIXER OR TAP INSTALLATION

STEP 1 – PREPARATION FOR MOUNTING THE MIXER OR TAP

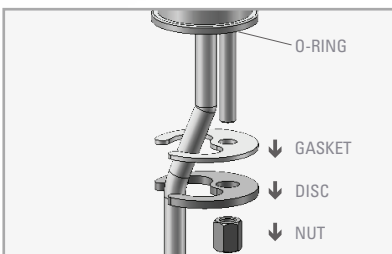
1

Shut off the water supply.



2

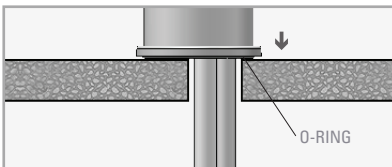
Remove the hexagonal nut, the disc and the gasket. Do not remove the O-ring from the base of the mixer or tap.



STEP 2 – INSTALLING THE MIXER OR TAP

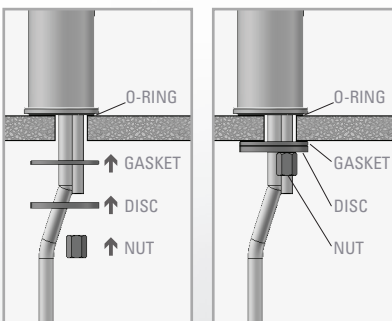
1

Insert the inlet connection end of each flexible tail through the hole in the deck then place tap over deck hole. Make sure the O-ring is located between the deck and the bottom of the mixer or tap.



2

Slide the gasket and disc onto the threaded stud then screw on the hexagonal nut and tighten.



MIXER OR TAP INSTALLATION

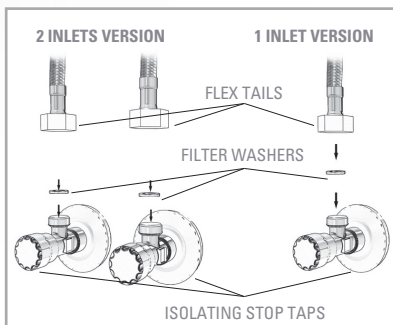
STEP 3 – CONNECTING THE WATER SUPPLY

1

Flush lines, fit filter washer and connect the flexible tails to the water supply and tighten to compress the sealing washer to provide a water-tight joint.

For models with temperature control connect the red flexible tail to the hot water supply and the blue flexible tail to the cold water supply.

Important: Flexible tails must not be kinked, twisted or in tension when installed. (Minimum bend radius = 50mm). Do not install flexible tails where subject to ultra violet light.



Code : 842018C

MAKE SURE THAT THE FILTER WASHER(S) IS/ARE INSTALLED BETWEEN THE FLEXIBLE TAIL AND THE ISOLATING STOP TAP (NOT SUPPLIED).

2

Turn on the central water supply and the isolating stop taps and check for leaks.

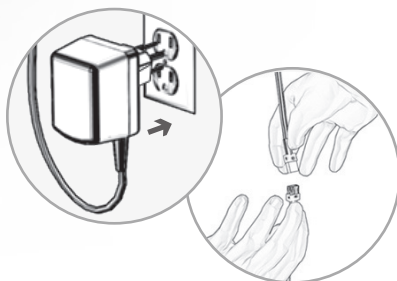


MIXER OR TAP INSTALLATION

STEP 4 – CONNECTING THE POWER SOURCE (MAINS OPTION)

MAINS OPTION

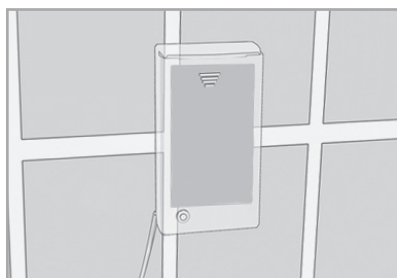
Plug the transformer into the electricity socket and connect the connectors.



1

BATTERY VERSION

Install the battery box at the wall underneath the sink using the two sided adhesive foam tape. The cable connection must point down.



2

In order to avoid entering into the adjusting mode, wait 10 seconds before operating the mixer or tap. If the range is unsatisfactory, refer to the section titled "settings adjustment"



ABOUT 10 SECONDS

FLOW TIME ADJUSTMENT

Adjustment levels

The flow time is programmable on site. If necessary, the default flow time of 8 seconds can be adjusted to any value between 1 to 60 seconds. The adjustment mechanism is composed of 3 adjustment levels for changing the flow time. An indicator light (LED) will guide you from one level to the other.

The following table shows the number of steps in each level, the duration of each step and how to recognize in what adjusting level you are.

	Level 1	Level 2	Level 3	Out of adjusting mode
No. of steps	10 steps	10 steps	2 steps	
Seconds to be increased by touching once	1 second	2 seconds	15 seconds	
Adjustment level indicator	After entering into adjusting mode level 1 is reached	Indicator light blinks twice	Indicator light blinks 3 times	Indicator light blinks 4 times

The following examples show how to manage the adjustment levels:

Example 1: You wish to adjust the flow time to 20 seconds.

At level 1 perform 3 steps of 1 second (you will get 3 seconds). Total: 3 seconds

Go to level 2 and perform 1 step of 2 seconds (you will get 2 seconds). Total: 5 seconds)

Go to level 3 and perform 1 step of 15 seconds (you will get 15 seconds). Total: 20 seconds.

Example 2: You wish to adjust the flow time to 45 seconds.

At level 1 perform 1 step of 1 second (you will get 1 second). Total: 1 second

Go to level 2 and perform 7 steps of 2 seconds (you will get 14 seconds). Total: 15 seconds)

Go to level 3 and perform 2 steps of 15 seconds (you will get 30 seconds). Total: 45 seconds.

FLOW TIME ADJUSTMENT

Example 3: You wish to adjust the flow time to 60 seconds.

At level 1 perform 10 steps of 1 second (you will get 10 seconds). Total: 10 seconds
Go to level 2 and perform 10 steps of 2 seconds (you will get 20 seconds). Total: 30 seconds)

Go to level 3 and perform 2 steps of 15 seconds (you will get 30 seconds). Total: 60 seconds.

How to adjust the flow time in your battery and mains options

- 1) Open the piezo cap using the provided 2 mm Allen key.
- 2) Disconnect the power supply (batteries or transformer).
- 3) While the power source is disconnected, verify that the solenoid valve is installed and touch the piezo cap twice.
- 4) Then, reconnect the power supply.
- 5) The indicator light (LED) on the back of the Piezo cap will start blinking. After a few blinks the LED will give a steady red light. Touch the Piezo cap when the steady red light is still on to enter into the adjusting mode. When done correctly, the light will stop blinking.

Note: If you will not press at the indicated area, the previous adjustment will remain.

- 6) By touching the Piezo cap the new flow time will be programmed. In adjusting mode level 1, each touch increases the flow time by 1 second with a maximum of 10 seconds. You will see the LED blinking every time that a new step is performed.
- 7) If your desired flow time is within 10 seconds, no other adjusting levels are needed and you can stop pressing the Piezo cap. The LED will blink 2 times, then 3 times and after 4 times you will leave the adjusting mode. The mixer or tap is now adjusted to the desired flow time.



FLOW TIME ADJUSTMENT

8) If you need to perform steps at adjusting level 2, wait after you see the LED blink twice and then, perform the needed quantity of steps (with a maximum of 10 steps of 2 seconds).

If you do not need more levels, stop pressing. The indicator light will blink 3 times and after 4 times you will leave the adjusting mode. The mixer or tap is now adjusted to the desired flow time.

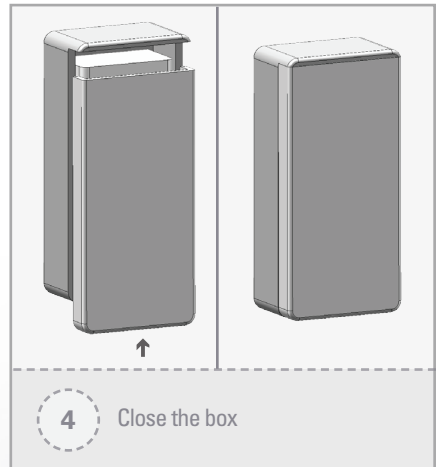
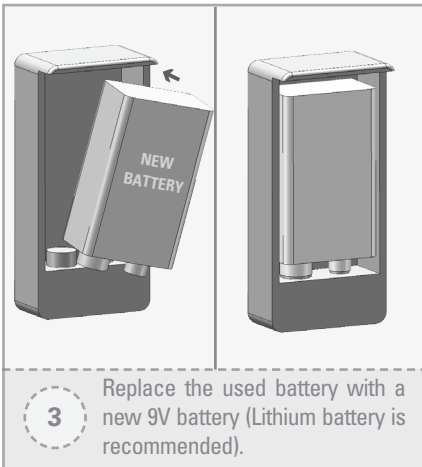
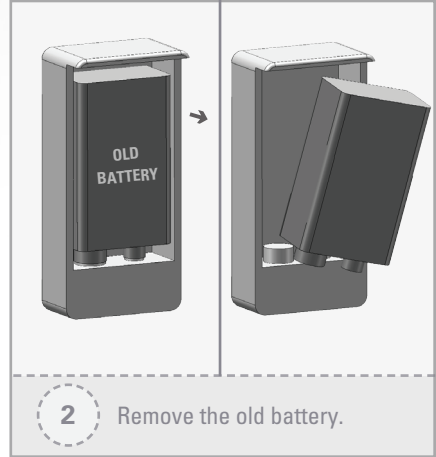
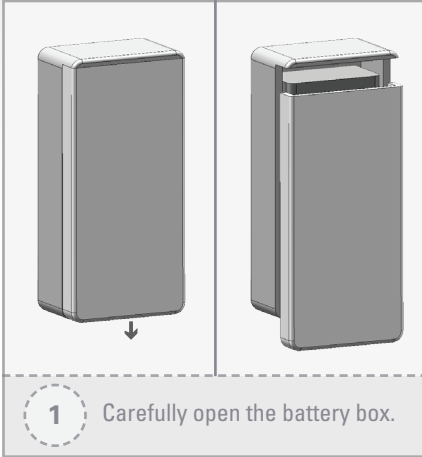
9) If you need to perform steps at adjusting level 3, wait after you see the LED blink 3 times and then, perform the needed quantity of steps (with a maximum of 2 steps of 15 seconds).

10) To leave the adjusting mode wait until the LED blinks 4 times. Your mixer or tap is adjusted to the desired flow time.



BATTERY REPLACEMENT

When the battery weakens, the red indicator light will blink at a constant rate. The battery must be replaced within two weeks.



MAINTENANCE

Filter cleaning instructions

The tap is provided with one / two stainless steel filter washer(s) preventing foreign particles from entering the lines. If the water flow has decreased, this may be because the filter washer(s) is / are clogged. The filter washer can be cleaned as follows:

1. Shut-off the water isolating stop tap.
2. Disconnect the flexible tail(s).
3. Remove the filter washer(s) and wash it/them under running water.
4. Reassemble the parts.
5. Make sure that there is no water leakage.

Care and cleaning of chrome and special finishes

DO NOT use steel wool or cleansing agents containing alcohol, acid, abrasives, or the like. Use of any prohibited cleaning or maintenance products or substances could damage the surface of the mixer or tap. For surface cleaning of mixer or tap use **ONLY** soap and water, then wipe dry with clean cloth or towel. When cleaning bathroom tile, the mixer or tap should be protected from any splattering of harsh cleansers.

SERVICE CHECK LIST

No water is coming out of the mixer or tap

Check the flow time. If needed adjust it following the instructions at page 13.

Check the solenoid valve. If debris or scale is present, unscrew the solenoid valve, pull out the plunger and the spring and clean them.

Use scale remover if needed. When replacing the spring, make sure that it is in vertical position.

Water flow diminished

Check the batteries. Low or used up batteries. Replace the batteries. See page 16.

Check the flow time. See page 13.

Check the connection between the piezo cap connector and the solenoid connector.

Check that the battery box is correctly connected.

Check the solenoid valve. If debris or scale are present, unscrew the solenoid valve, pull out the plunger and the spring and clean them.

Use scale remover if needed. When replacing the spring, make sure that it is in vertical position.

Check the diaphragm. If needed, clean the orifice or replace it.

Check the water supply pressure. It must be 0.5-8.0 bar (7-116 PSI) . With water pressure of more than 8 Bars, use a pressure reducing valve.

Water flow does not stop

Check the filter washer(s). If needed, remove it, clean it and reinstall it. See page 17.

SPARE PARTS LIST

PART NAME

PART CODE

IP67 Battery Back Up Box SP63020

Solenoid SP63019