

Pipe Cover Installation Instruction



To the installer

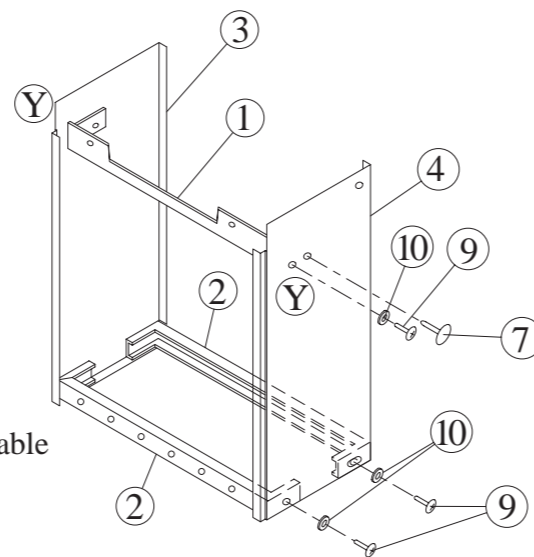
- Please contact Rinnai for model suitability.
- For your safety, always wear safety glasses and gloves.
- To use this product correctly and safely, please read and follow these assembly and installation instructions.
- Carefully unpack and identify each component before attempting to assemble. Refer to Parts List.

Parts List

① Top Frame 1pc.	④ Right Plate 1pc.	⑥ Metal Bracket 2pcs.	⑩ Plastic Washer 10pcs.
			M4
② Bottom Frame 2pcs.		⑦ Clip 2pcs.	⑪ Screw 2pcs.
			M5X8
③ Left Plate 1pc.	⑤ Front Panel 1pc.	⑧ Screw 4pcs.	⑫ Screw 2pcs.
		M4X12	ø4.8X32
		⑨ Screw 6pcs.	⑬ Wall Anchor 2pcs.
		M4X8	

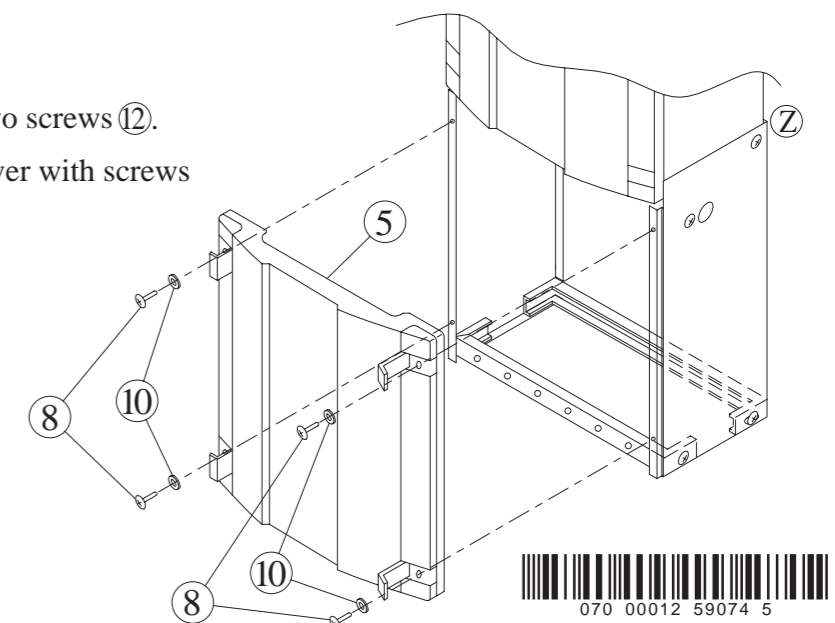
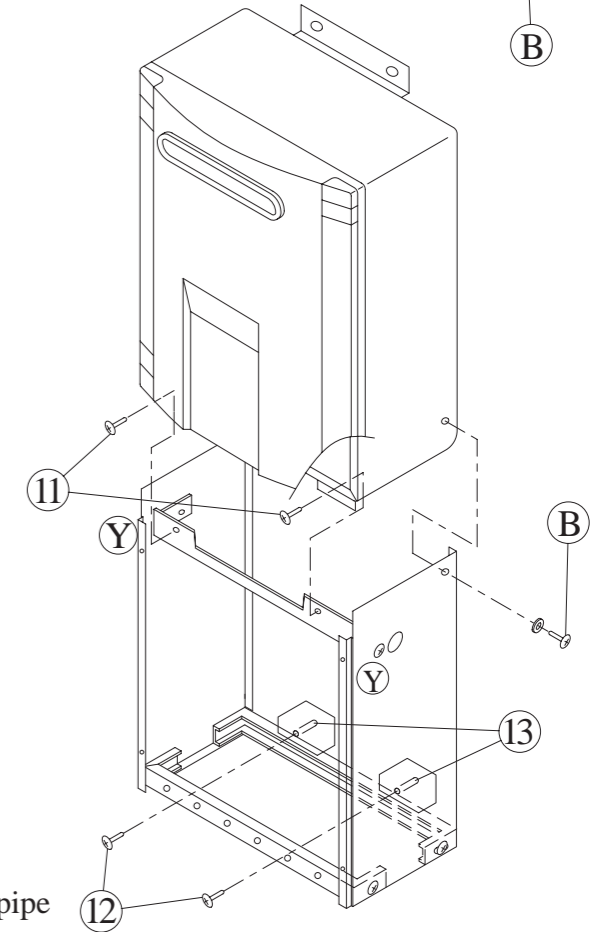
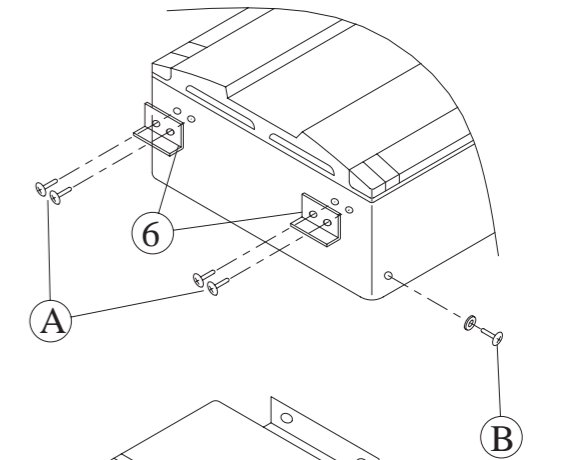
Pipe Cover Assembly Instructions

- (1) Assemble the Top Frame ① to the Left and Right Plates ③ & ④ with clip ⑦. Secure these parts with screws and plastic washers ⑨ & ⑩.
- (2) Secure the two Bottom Frames ② to the Left and Right Plates ③ & ④ with screws and plastic washers ⑨ & ⑩. Do not completely tighten the screws at (Y) so that you will be able to align the pipe cover when attaching to it to the water heater. Tighten the screws at the bottom of the pipe cover.



Pipe Cover Installation

- (1) Remove the mounting screws (A) & (B) from the bottom and sides of the appliance.
- (2) Install the two Metal Brackets (6) to the bottom of the appliance with the screws (A) removed in step 1.
- (3) Slide the Pipe Cover assembly onto the bottom of the appliance. Align the mounting holes and temporarily mount the Pipe Cover with the screws (B) removed from the sides of the appliance in step 1, and screws (11).
- (4) Loosen the screws on the "back" Bottom Frame. Then mark the locations to attach the Pipe Cover to the wall.
- (5) Remove the Pipe Cover and drill two holes in the wall as marked. For drywall, drill two 3/16-in. holes (other wall material may require alternate mounting details).
- (6) Gently tap the wall anchors (13) into the drilled holes until flush with the wall.
- (7) Slide the Pipe Cover assembly onto the bottom of the appliance. Align the mounting holes and attach the Pipe Cover with the screws (B) removed from the sides of the appliance in step 1, and screws (11). Tighten screws (11), but leave screws (B) loose.
- (8) Align the back corner at (Z) where the water heater case and pipe cover meet.
- (9) Tighten screws (9) at (Y) and screws (B).
- (10) Attach the Pipe Cover to the wall with two screws (12).
- (11) Attach the Front Panel (5) to the Pipe Cover with screws and plastic washers (8) & (10).
- (12) With the Pipe Cover flush with the appliance, tighten the screws on the "back" Bottom Frame.



U287-1040x02(00)