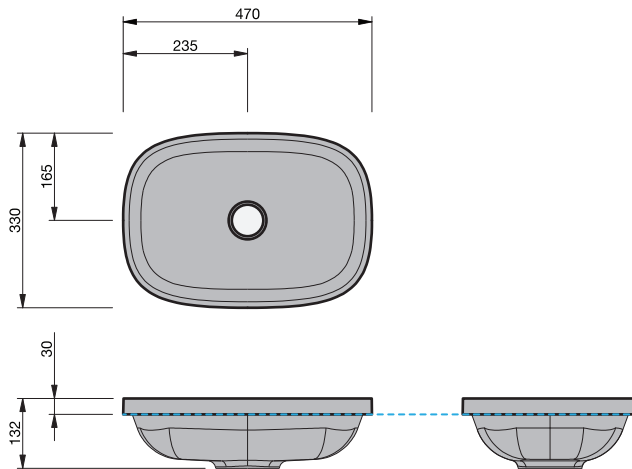
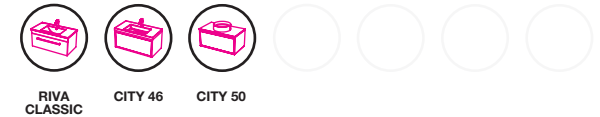


BASIN SPECIFICATION

Mecca



Cabinet range (refer to applicable cabinet specifications)



RIVA
CLASSIC

CITY 46

CITY 50

Product Features

| | |
|------------------------|-----------------------|
| Type of basin | Inset |
| Material of basin | Mineral Cast |
| Capacity of basin | 8 litre |
| Overflow Configuration | Overflow not provided |
| Colour options | White Gloss |

- The basin must be sealed to the top with an acetic cured silicone sealant.
- Epoxy type sealants must not be used.

INDICATES TOP SURFACE -----

IMPORTANT NOTE: Throughout this guide, dimensions may vary by ± 2 mm. Please read the installation manual for detailed information on installing the product. St. Michel pursues a policy of continuing improvement in design and manufacturing of its products. The right is therefore reserved to vary specifications without notice. For full installation instructions visit stmichel.co.nz.

Date edited:

20 / 03 / 2020

01 / 04

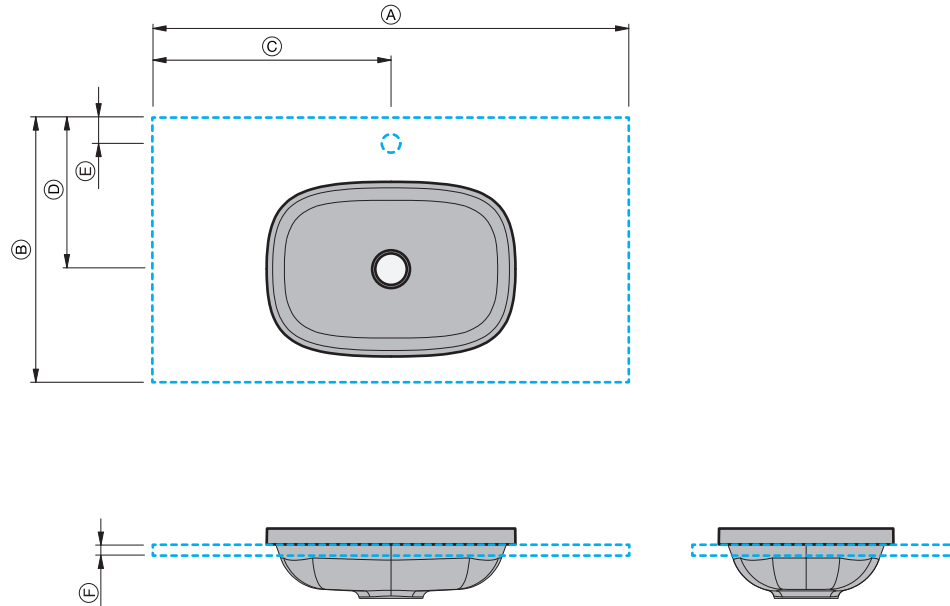
TOP SPECIFICATION
Mecca

Cabinet range (refer to applicable cabinet specifications)



RIVA CLASSIC CITY 46 CITY 50

| Top Thickness (mm) | F | Cherry Pie | HPL |
|--------------------|---|------------|------|
| City 46 | | 20.5 | 17.5 |
| | | | |
| | | | |
| | | | |



- The top must be sealed to the vanity unit with an acetic cured silicone sealant. Epoxy type sealants must not be used
- Tops can be drilled on site with a standard hole saw
- For wall mounted taps we recommend using a 200mm wall mixer

| Product Dimensions (mm) | A | B | C | D | E |
|---------------------------------|------|-----|-----|-----|----|
| City 46 - 700 | 700 | 460 | 350 | 265 | 55 |
| City 46 - 700 (wall mount tap) | 700 | 460 | 350 | 230 | - |
| City 46 - 900 | 900 | 460 | 450 | 265 | 55 |
| City 46 - 900 (wall mount tap) | 900 | 460 | 450 | 230 | - |
| City 46 - 1200 | 1200 | 460 | 600 | 265 | 55 |
| City 46 - 1200 (wall mount tap) | 1200 | 460 | 600 | 230 | - |
| | | | | | |
| | | | | | |
| | | | | | |
| | | | | | |
| | | | | | |
| | | | | | |
| | | | | | |
| | | | | | |
| | | | | | |
| | | | | | |
| | | | | | |
| | | | | | |
| | | | | | |
| | | | | | |
| | | | | | |

INDICATES TOP SURFACE -----

IMPORTANT NOTE: Throughout this guide, dimensions may vary by ± 2mm. Please read the installation manual for detailed information on installing the product. St. Michel pursues a policy of continuing improvement in design and manufacturing of its products. The right is therefore reserved to vary specifications without notice. For full installation instructions visit stmichel.co.nz.

TOP SPECIFICATION

Mecca

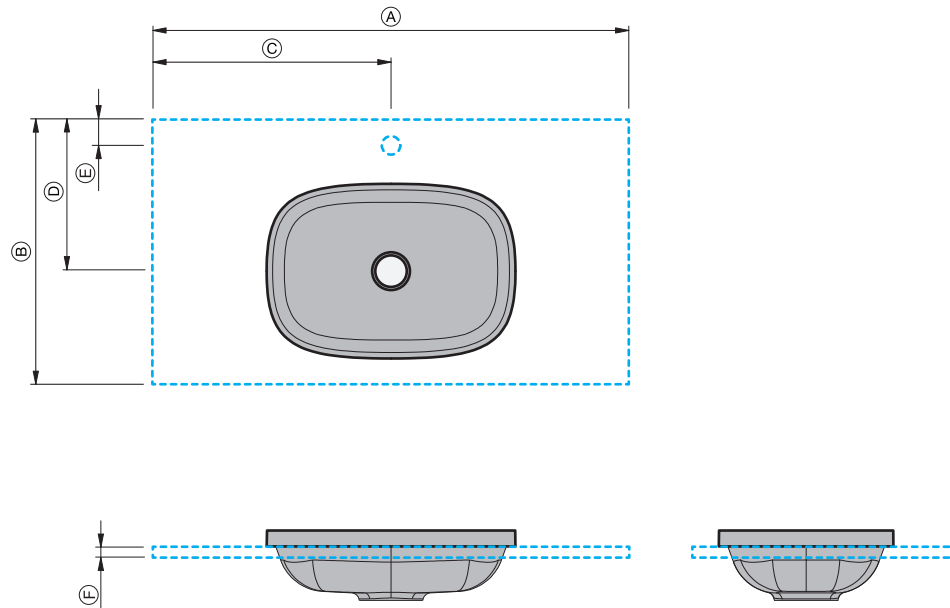
Cabinet range (refer to applicable cabinet specifications)



RIVA
CLASSIC

CITY 46

| Top Thickness (mm) | Ⓕ | Cherry Pie | | | |
|--------------------|---|------------|--|--|--|
| Riva Classic | | 20.5 | | | |
| | | | | | |
| | | | | | |
| | | | | | |



- The top must be sealed to the vanity unit with an acetic cured silicone sealant. Epoxy type sealants must not be used
- Tops can be drilled on site with a standard hole saw
- For wall mounted taps we recommend using a 200mm wall mixer

| Product Dimensions (mm) | Ⓐ | Ⓑ | Ⓒ | Ⓓ | Ⓔ |
|--|------|-----|-----|-----|----|
| Riva Classic - 750 | 750 | 460 | 375 | 265 | 55 |
| Riva Classic - 750 (wall mount tap) | 750 | 460 | 375 | 230 | - |
| Riva Classic - 900 | 900 | 460 | 450 | 265 | 55 |
| Riva Classic - 900 (wall mount tap) | 900 | 460 | 450 | 230 | - |
| Riva Classic - 900 - LH | 900 | 460 | 340 | 265 | 55 |
| Riva Classic - 900 - LH (wall mount tap) | 900 | 460 | 340 | 230 | - |
| Riva Classic - 900 - RH | 900 | 460 | 560 | 265 | 55 |
| Riva Classic - 900 - RH (wall mount tap) | 900 | 460 | 560 | 230 | - |
| Riva Classic - 1200 | 1200 | 460 | 600 | 265 | 55 |
| Riva Classic - 1200 (wall mount tap) | 1200 | 460 | 600 | 230 | - |
| Riva Classic - 1500 | 1500 | 460 | 750 | 265 | 55 |
| Riva Classic - 1500 (wall mount tap) | 1500 | 460 | 750 | 230 | - |

INDICATES TOP SURFACE -----

IMPORTANT NOTE: Throughout this guide, dimensions may vary by ± 2 mm. Please read the installation manual for detailed information on installing the product. St. Michel pursues a policy of continuing improvement in design and manufacturing of its products. The right is therefore reserved to vary specifications without notice. For full installation instructions visit stmichel.co.nz.

Date edited:

20 / 03 / 2020

03 / 04

TOP SPECIFICATION
Mecca

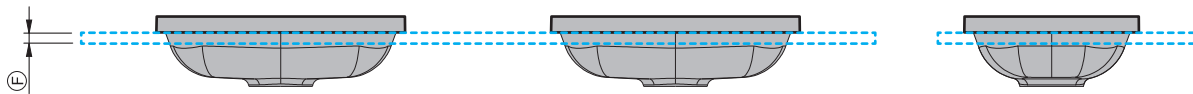
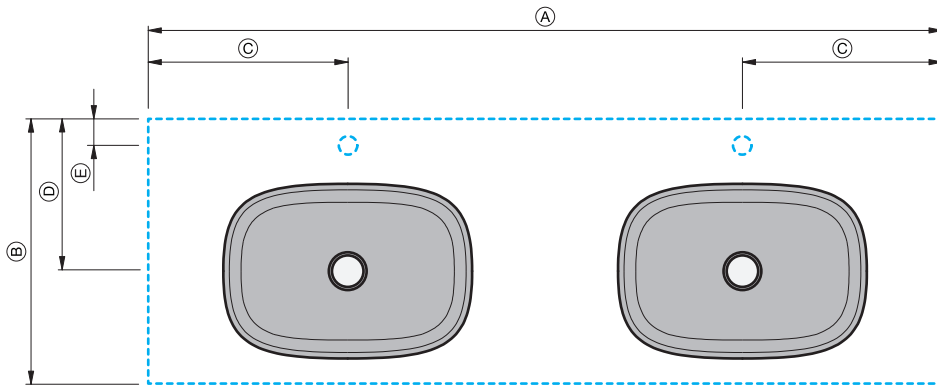
Cabinet range (refer to applicable cabinet specifications)



RIVA
CLASSIC

CITY 46

| Top Thickness (mm) | (F) | Cherry Pie | HPL |
|--------------------|-----|------------|-----|
| Riva Classic | | 20.5 | |
| City 46 | | 20.5 | |



- The top must be sealed to the vanity unit with an acetic cured silicone sealant. Epoxy type sealants must not be used
- Tops can be drilled on site with a standard hole saw
- For wall mounted taps we recommend using a 200mm wall mixer

| Product Dimensions (mm) | (A) | (B) | (C) | (D) | (E) |
|---|------|-----|-----|-----|-----|
| City 46 - 1200 - DB | 1200 | 460 | 300 | 265 | 55 |
| City 46 - 1200 - DB (wall mount tap) | 1200 | 460 | 300 | 230 | - |
| City 46 - 1400 - DB | 1400 | 460 | 350 | 265 | 55 |
| City 46 - 1400 - DB (wall mount tap) | 1400 | 460 | 350 | 230 | - |
| Riva Classic - 1200 - DB | 1200 | 460 | 300 | 265 | 55 |
| Riva Classic - 1200 - DB (wall mount tap) | 1200 | 460 | 300 | 230 | - |
| Riva Classic - 1500 - DB | 1500 | 460 | 375 | 265 | 55 |
| Riva Classic - 1500 - DB (wall mount tap) | 1500 | 460 | 375 | 230 | - |

INDICATES TOP SURFACE -----

IMPORTANT NOTE: Throughout this guide, dimensions may vary by ± 2mm. Please read the installation manual for detailed information on installing the product. St. Michel pursues a policy of continuing improvement in design and manufacturing of its products. The right is therefore reserved to vary specifications without notice. For full installation instructions visit stmichel.co.nz.