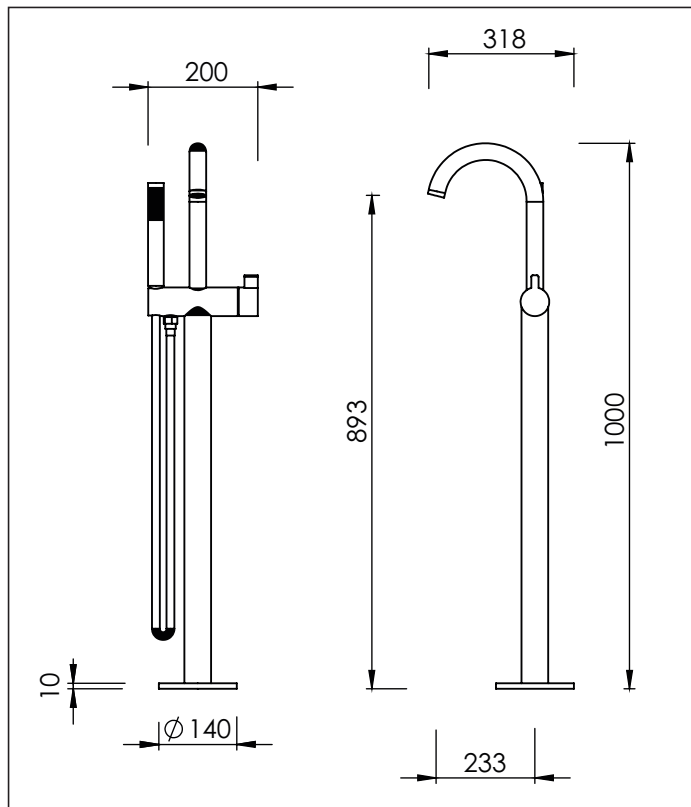


Zento

Floor Standing Bath Filler & Hand Shower

aquatica



Code: ZN BSETFLOOR BLK

Finish: Black

Spout: Swivel 360°

Water Outlet: M24 aerator on bath filler or handshower

Water Inlets: 1/2" BSP female on mounting unit

Handshower Head: Single spray black

Handshower Hose: 1.5m PVC black

Mounting Hardware: Base bracket with 4 masonry bolts
(to be mounted below finished floor level)

Installation Hole: 120mm x 120mm x 50mm depth (minimum)

Cover: 140mm diameter x 10mm (H)

Reach: 233mm

Height: 1000mm overall (893mm @ aerator)

Divertor type: Clockwise to divert to bathfiller, Anticlockwise to divert to handshower

Cartridge: Multi port divertor 40mm raised base

Max hot water flow from bath filler: 3 l/min @ 35kPa

Max water flow from handshower: PCW 9 l/min (+-) 10% nominal flow from 100 kPa onwards

Feature: Complete with double one way valve on handshower outlet



KIWI OWNED COMPANY

NZ • DESIGNED
• ASSEMBLED
• TESTED

Aquatica NZ Limited

9 Saunders Place,
Avondale, Auckland.

Tel: 09-828 2068,

Fax: 09-828 2069

Email: info@aquatica.co.nz

or visit our website:

www.aquatica.co.nz

© copyright Aquatica 2019



Suitable for mains pressure only

Recommended Operational Pressure Range: 150 - 600 kPa

Maximum Operating Temp: 80°C Never to Exceed: 1000 kPa

Please note: Specifications are subject to change without notice. It is the responsibility of the installer to check the measurements of the physical product before installation