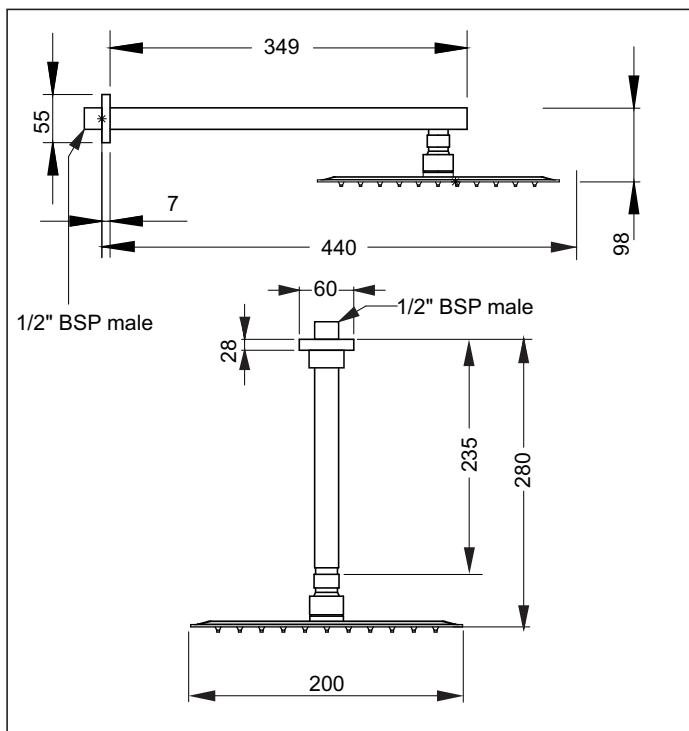


Xera

Rain Head & Arm



Code: XE SRWM SS Wall Mounted
(Includes a 360mm round wall arm)

Code: XE SRCM SS Ceiling Mounted
(Includes a 235mm round ceiling arm)

Code: XE SR SS HEAD ONLY Head Only

Finish: Stainless Steel

Water Inlet: 1/2" BSP thread Male

Installation Hole Diameter (all arms): Min: 21mm Max: 30mm

Note: Wall and Ceiling arms available separately

Rainhead: 200mm Ø
Inlet 1/2" BSP Female
Spray pattern @ head = 200mm Ø
@ 1/2 metre = 200mm Ø

Arm: Round 24 x 360mm long from wall or 235 from ceiling
Inlet and Outlet: 1/2" BSP Male
Cover Flange: 55mm Ø x 7mm

Flow Control: PCW9

Flow Rate: Max Flow @ 35 kPa = 10.5 l/min

Please Note: Removal of the flow control on mains pressure may void warranty

Suitable for low/unequal & mains pressure systems

Recommended Operational Pressure Range: 35 - 600 kPa
Maximum Operating Temp: 80°C Never to Exceed: 1000 kPa



KIWI OWNED COMPANY

NZ • DESIGNED
• ASSEMBLED
• TESTED

Aquatica NZ Limited

9 Saunders Place,
Avondale, Auckland.
Tel: 09-828 2068,
Fax: 09-828 2069
Email: info@aquatica.co.nz
or visit our website:
www.aquatica.co.nz

© copyright Aquatica 2019