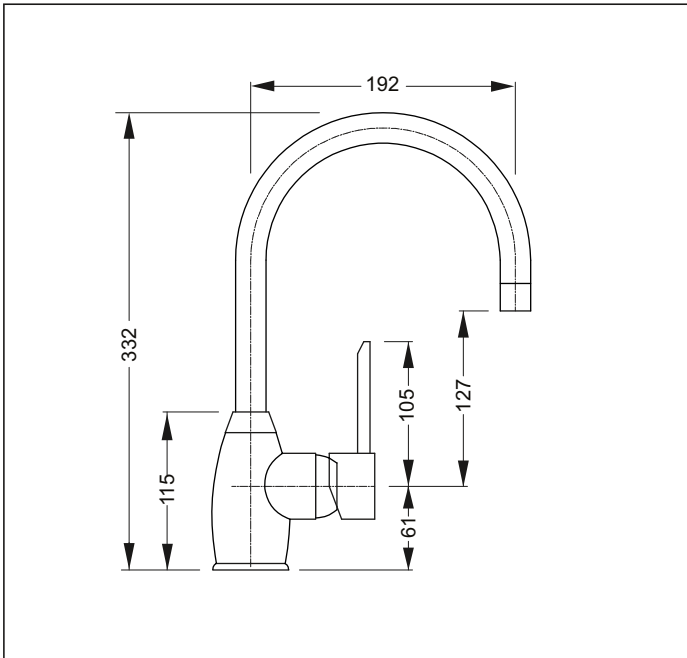


Xera

Gooseneck Sink Mixer



Code: X1 SM G/NECK

Finish: Chrome

Spout: Swivel 360°

Stainless Steel Inlet Hoses: Hot: Size: M16 x 1/2" BSP
Length: 500mm

Cold: Size: M12 x 1/2" BSP
Length: 500mm

Mounting: Mounting Hardware: Studs: 2 x 8 mm
Nut: 11 mm A/F
Horseshoe Washer

Metal Base Ring supplied with O-ring seal

Installation Hole Diameter: Minimum: 38mm
Maximum: 45mm

Cartridge: Mondo 40K Plus Flat base

Handy Tip: For unequal pressure systems adjust the isolator filter stops supplied

aquatica



KIWI OWNED COMPANY

NZ • DESIGNED
• ASSEMBLED
• TESTED

Aquatica NZ Limited

9 Saunders Place,
Avondale, Auckland.
Tel: 09-828 2068,
Fax: 09-828 2069
Email: info@aquatica.co.nz
or visit our website:
www.aquatica.co.nz

© copyright Aquatica 2019

Suitable for low/unequal & mains pressure systems

Recommended Operational Pressure Range: 35 - 600 kPa
Maximum Operating Temp: 80°C Never to Exceed: 1000 kPa



Please note: Specifications are subject to change without notice. It is the responsibility of the installer to check the measurements of the physical product before installation