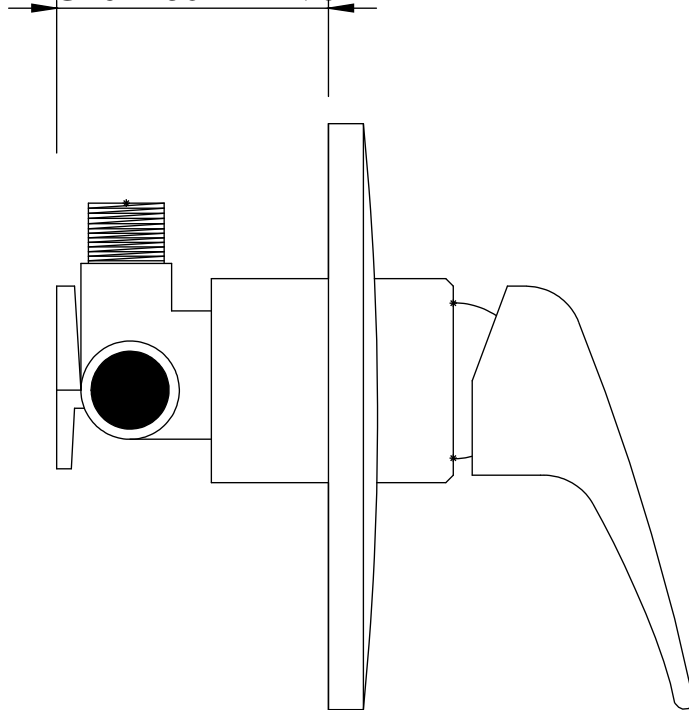


BACKSET 50mm - 90mm



UNLESS OTHERWISE SPECIFIED:  
 DIMENSIONS ARE IN MILLIMETERS  
 SURFACE FINISH:  
 TOLERANCES:  
 LINEAR:  
 ANGULAR:

FINISH:

DEBUR AND  
 BREAK SHARP  
 EDGES

DO NOT SCALE DRAWING

REVISION

NAME SIGNATURE DATE

TITLE:

DRAWN

CHK'D

APP'VD

MFG

Q.A

MATERIAL:

DWG NO

FO SHMEZI new 2020 4

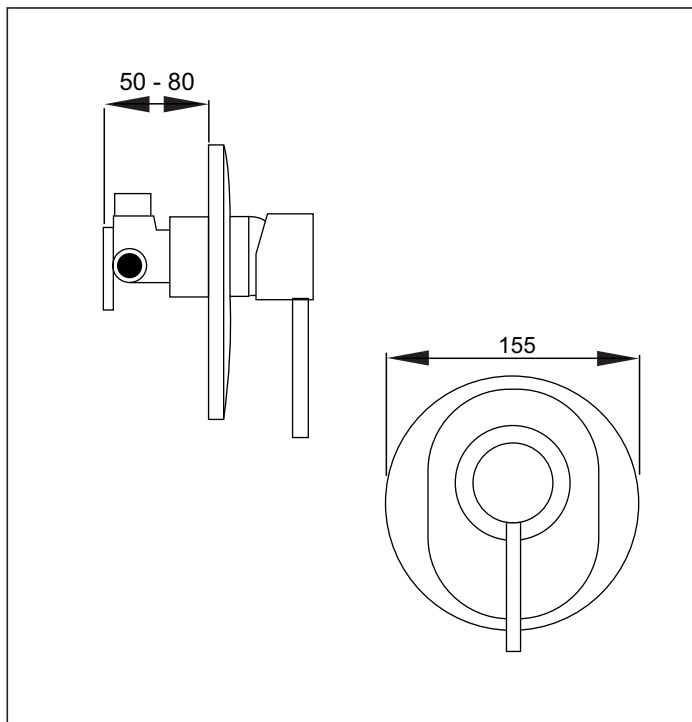
WEIGHT:

SCALE:1:2

SHEET 1 OF 1

# Xera

## Ezimix Shower Mixer



**Code: X1 SHMEZI**

**Finish:** Chrome

**Faceplate:** 155mm diameter depressed plate

**Barrel Diameter:** 54mm

**Backset:** (Mounting board to front of lining)

Minimum: 50mm

Maximum: 80mm

**Installation Hole Diameter:**

Minimum: 55mm diameter

**Water Inlets:** 1/2" BSP Male - Hot. Fitted with no return OV15 check valve  
1/2" BSP Female - Cold. 1/2" BSP male/male shower nipple supplied for flow control with unequal pressure systems

**Water Outlet:** Upper: 1/2" BSP Male

**Cartridge:** Mondo 45K raised base

### Suitable for low/unequal & mains pressure systems

Recommended Operational Pressure Range: 20 - 600 kPa  
Maximum Operating Temp: 80°C Never to Exceed: 1000 kPa

No WELS rating required

# aquatica



KIWI OWNED COMPANY

**NZ**

• DESIGNED  
• ASSEMBLED  
• TESTED



**Aquatica NZ Limited**

9 Saunders Place,  
Avondale, Auckland.  
Tel: 09-828 2068,  
Fax: 09-828 2069  
Email: [info@aquatica.co.nz](mailto:info@aquatica.co.nz)  
or visit our website:  
[www.aquatica.co.nz](http://www.aquatica.co.nz)

© copyright Aquatica 2019