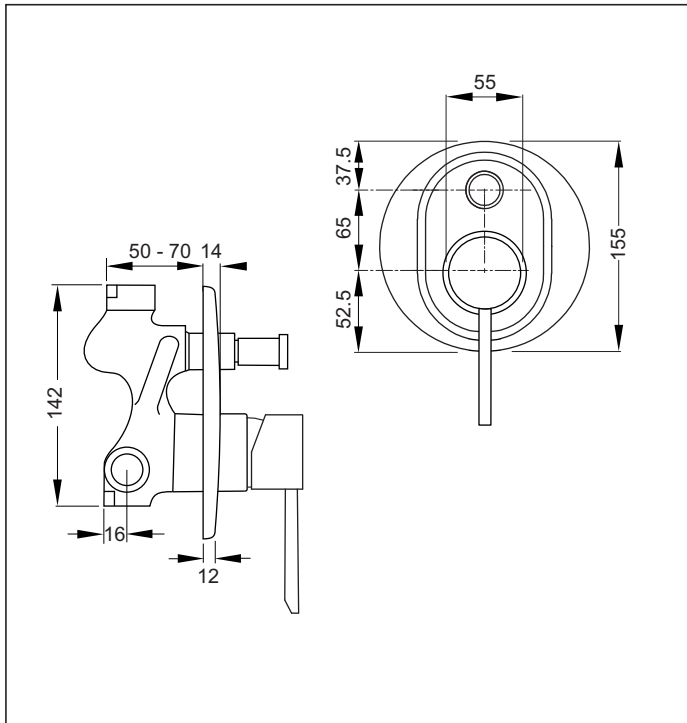


Xera

Shower Mixer with Bath Divertor All Pressure

aquatica



Code: X1 SHMBDAP

Finish: Chrome

Faceplate Diameter: 155mm depressed plate

Body: Cast Brass

Mixer Barrel Diameter: 54mm

Divertor barrel diameter: 25mm

Centre to centre (mixer to diverter): 65mm

Water Inlet: 1/2" BSP Female

Male Male ball valve nipple (Cold Flow Control)

Male Male nipple with one way valve (Hot)

Water Outlet: 3/4" BSP Female (upper and lower)

Divertor: Operation: Pull to divert, Turn to lock

Default Outlet: Lower 3/4" BSP Female

Installation: Screwed to back board

Backset: Minimum: 50mm

Maximum: 70mm

Requires hole in back board to clear base of diverter (Dia. 45mm, Depth 15mm)

Minimum Hole Size: 106 x 55mm

Cartridge: 45K Plus Raised base

Flow Control: Ball valve on cold inlet for unequal pressure systems

Max Flow: Hot @ 35kPa = 13.3 l/min



KIWI OWNED COMPANY

NZ • DESIGNED
• ASSEMBLED
• TESTED

Aquatica NZ Limited

9 Saunders Place,
Avondale, Auckland.

Tel: 09-828 2068,

Fax: 09-828 2069

Email: info@aquatica.co.nz

or visit our website:

www.aquatica.co.nz

© copyright Aquatica 2019

Suitable for low/unequal & mains pressure systems

Recommended Operational Pressure Range: 35 - 600 kPa

Maximum Operating Temp: 80°C Never to Exceed: 1000 kPa

No WELS rating required