

## iStone Ovale Basin



WD38579MWT

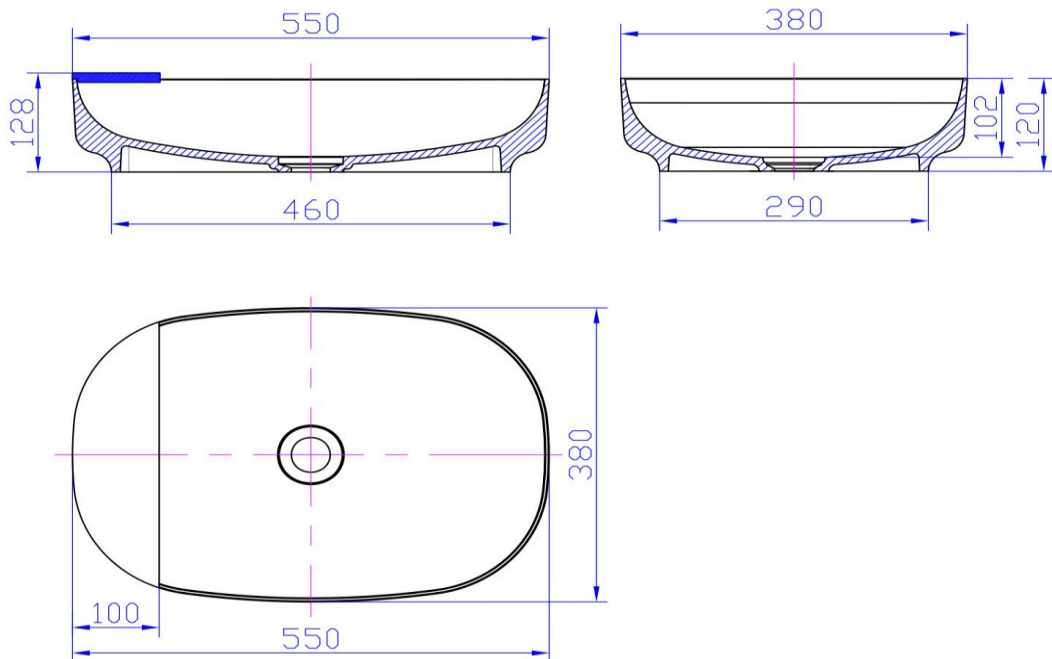
iStone Ovale Basin 550 x 380 x 120mm (With Tray) Matte White

Ovale basin in solid surface with a matte white finish

550mm x 380mm x 120mm

Includes a removable storage tray

Note: Clikclak wastes are sold separately



### CARE AND USE

iStone Basins

iStone composite stone basins should be wiped clean regularly and are best cleaned with cream or mild abrasive cleaners. Do not use harsh abrasives on the basin surfaces.

### LIMITED PRODUCT WARRANTIES

To be read in conjunction with and subject to all terms and conditions contained in the Waterware 'Producer Statement' available on-line (<http://www.waterware.co.nz/media-downloads>) From date of purchase, Waterware Services warrants products from the following categories to be free from manufacturing defect subject to exclusions (if applicable):

Category	Domestic Installations	Commercial Installations	Exclusions	Wels
Basins	5 years parts and labour	1 years parts and labour	None	Not required