

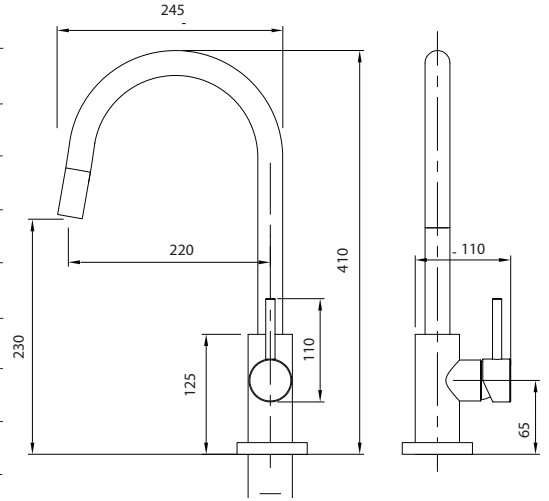
STAINLESS Gooseneck Minimal Pull Out Sink Mixer

VSS015



TECHNICAL DETAILS

- Cold Start Technology
- 35mm European Ceramic Cartridge
- Mains Pressure Only
- Max. Pressure 500kPa
- Min. Pressure 150kPa
- Max. Temp 65deg.C
- 35mm Bench Hole Required
- Brushed Stainless Steel Finish
- WELs Rating: Mains 4 Star; 6.0L/min
- Lead-free 304 Stainless Steel



FINISH		CODE
STAINLESS STEEL		VSS015