

ECLIPSE Square Double Head Shower Matte Black **VECL048**



Congratulations on your purchase of this high quality product from Voda Plumbingware.
Please read the following before installation and retain (along with your receipt) for future reference.

TECHNICAL SPECIFICATIONS

Suitable for Mains Pressure only

Minimum Pressure = 150kPa

Maximum operating Pressure = 500kPa

Maximum operating Temperature = 65 deg. Celsius

TOP INLET PLUMBING CONNECTION

For domestic use only.

CONFIGURATION

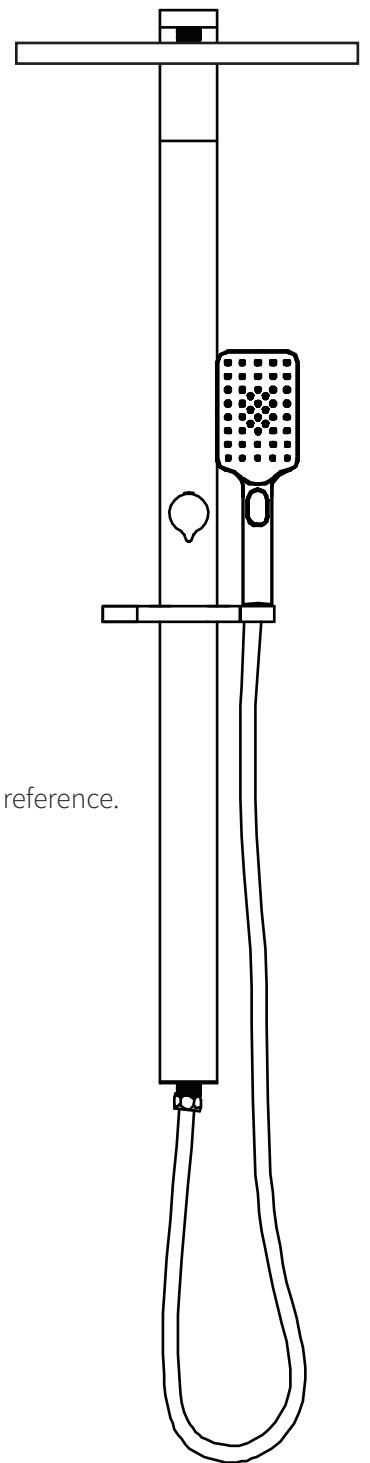
Mains Pressure systems Install as supplied.

Unequal Low systems This product is not suitable for this type of water pressure.

Equal Low systems This product is not suitable for this type of water pressure.

CONTENTS

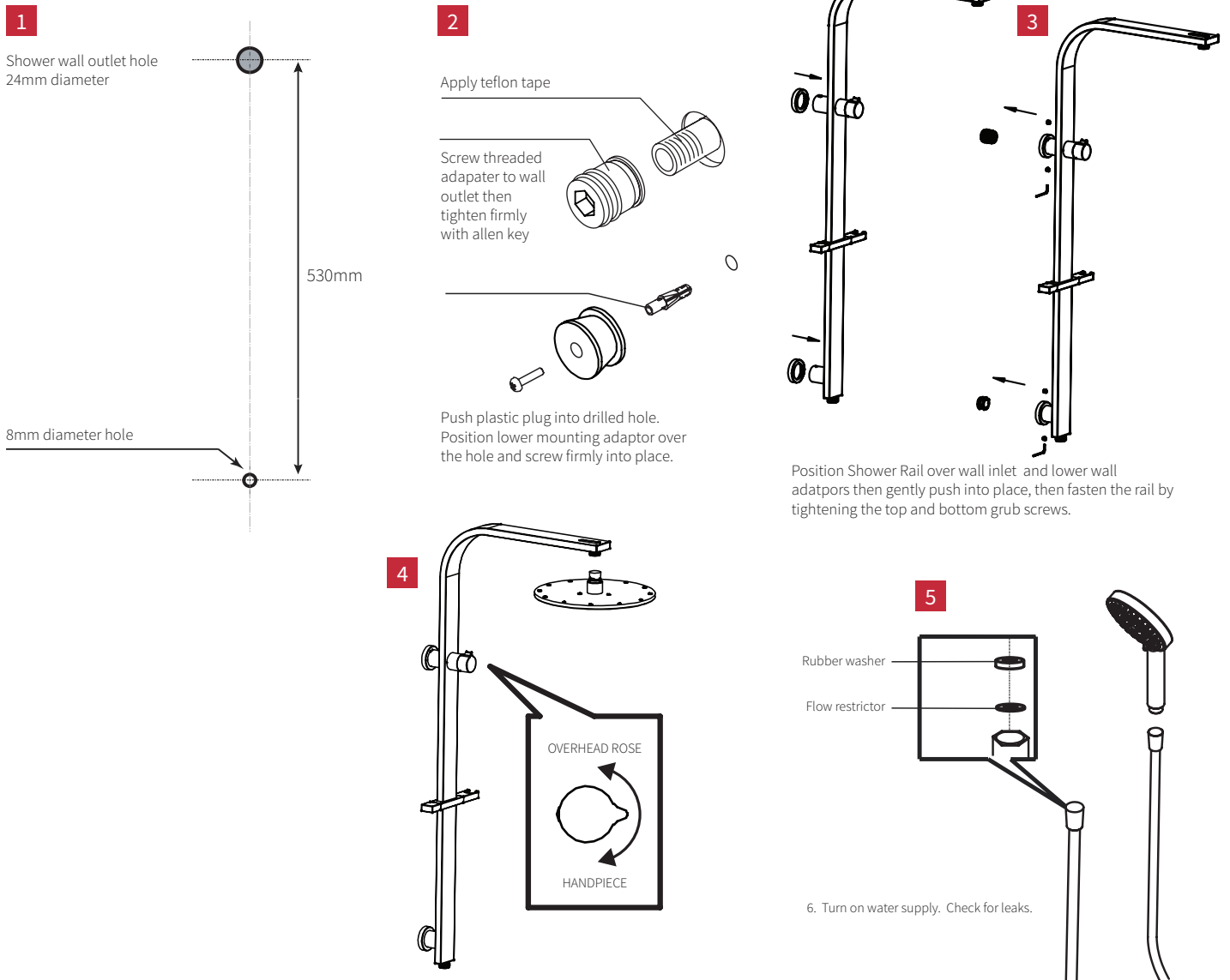
- Shower rail (glide bar) with adjuster/handpiece holder
- 1.5m shower hose with flow restrictor disc fitted
- Shower rose
- Shower handpiece
- Wall fixing kit



ATTACH PROOF OF PURCHASE HERE

INSTALLATION

Note: This shower has a WELS certified flow restrictor fitted to the handpiece (see diagram 5). If you want a greater flow, remove this disc but note that this will not give a WELS 3-star water rating anymore.



WARRANTY

Please refer to our website for warranty information: www.vodaplumbingware.co.nz/warranty

In the unlikely event that this product fails during its warranty period, phone our Customer Service team immediately on 0508 367 366 – as unauthorised removal of the product may void the warranty.

CARE AND MAINTENANCE

Not to be cleaned with astringent, abrasive or citric cleaners.

A soft, damp cloth is recommended for cleaning. Mild soap solutions can also be used on occasion.