

Eclipse Round Double Head Slide Shower Chrome VECL045



Congratulations on your purchase of another quality shower set from Voda Plumbingware NZ.

Pack Contents

Included in this pack should be; wall fixing kit with screws, 1 x glide bar with adjuster/holder, 1 x 1.5m supply hose, 1 x shower handpiece, 1 x shower rose, 1 x flow controller for handshower.

Specification:

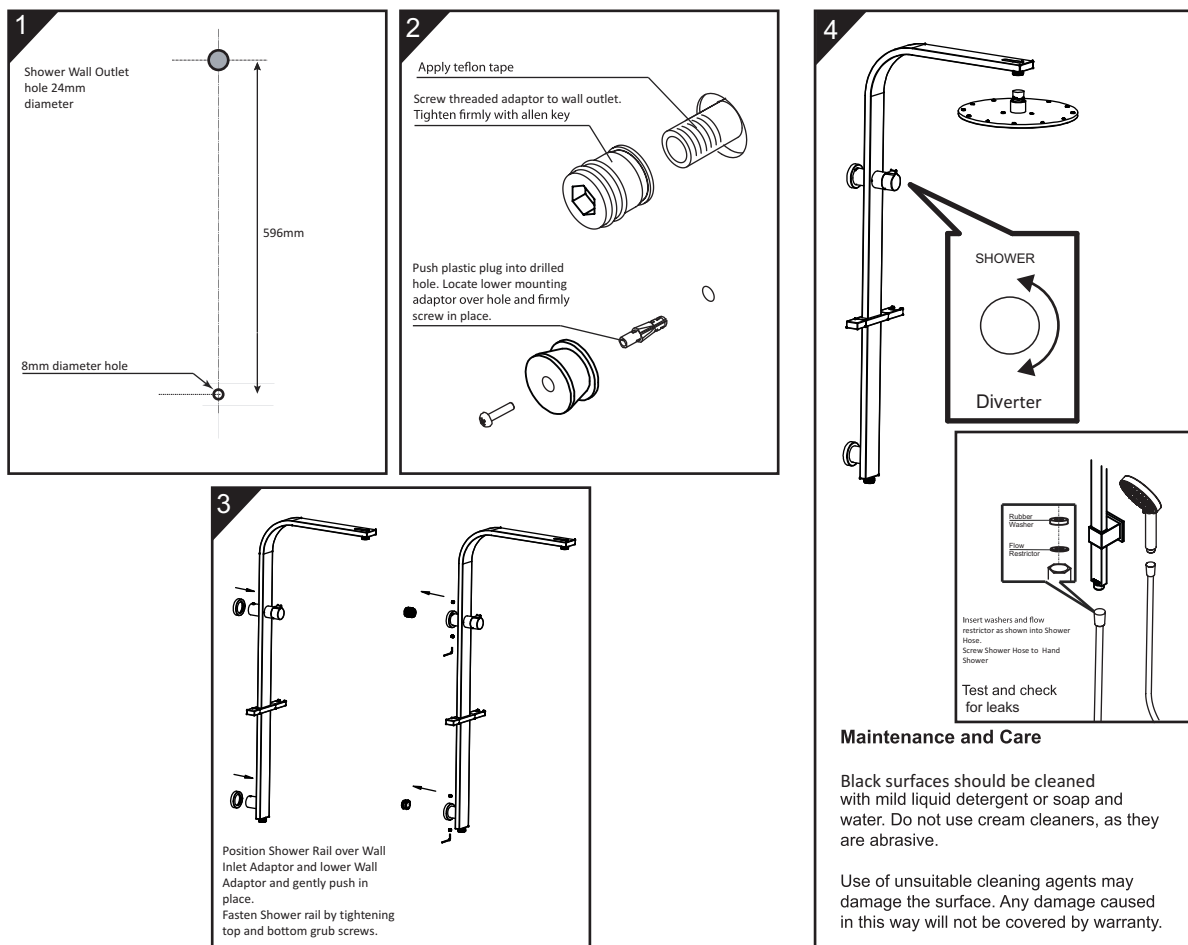
Suitable for Mains Pressure installations only

Min. Pressure 150kpa

Max. Temp 65deg.C

Max. Pressure 600kpa

Installation



WELS 3 Star Restrictor

Note this product has a WELS certified disc fitted (see diagram 4 above). If you want a greater flow, remove this disc but note that this will not give a WELS 3 star water rating anymore.

10 Year Warranty

Read terms & conditions on in-pack warranty slip

Note: In the unlikely event that this product fails during it's warranty period, please phone 0508 367 366 customer service free line as unauthorised removal may result in loss of warranty.

VODA PLUMBINGWARE (NZ) LTD, 5 Hewlett St, Port Whangarei. Tel: 0-9-470 2090
www.vodaplumbingware.co.nz

Attached proof of
purchase here



Warranty

Congratulations on your purchase of this high quality product from Voda Plumbingware (NZ) Ltd.

Voda New Zealand warrants that high quality materials and workmanship have been used in the manufacture of its tapware. If the product fails due to a fault of manufacture, Voda NZ, will at its option repair or replace the product, provided that:

- The proof of purchase is given to Voda.
- That such defect shall be found to the Company's satisfaction to have arisen from faulty design, workmanship or materials.

The Company will not be liable due to:

- Failure to produce the original invoice, providing date of purchase;
- Damages incurred during installation;
- The installation not conforming with fitting instructions;
- Unauthorised modifications or repairs;
- Surface deterioration due to cleaning methods not in accordance with instructions.
- The following standards not being met:
 - Installation to comply with Section 5.4 of AS/NZS 3500 Standard with regard to Isolating stop cock use
 - As per AS/NZS 3500.1:2300 clause 3.3.4, the maximum operating pressure at any outlet, other than a fire service outlet, within a building does not exceed 500kPa.

The Company shall accept no responsibility for compensation towards assembly or disassembly of the fitting and shall not be liable for consequential loss or damage of any kind whatsoever to or in any way caused by the goods or their use.

Care & Maintenance

Chrome-plated finishes should not be cleaned with astringent, abrasive or citric cleaners. A soft damp cloth is recommended for cleaning. Mild soap solution can also be used on occasion.

In the unlikely event that this product fails during its warranty period, phone 0508 367 366 customer service free line, as unauthorised removal may void the warranty.

For domestic use only.

Thank you for purchasing Voda Plumbingware.