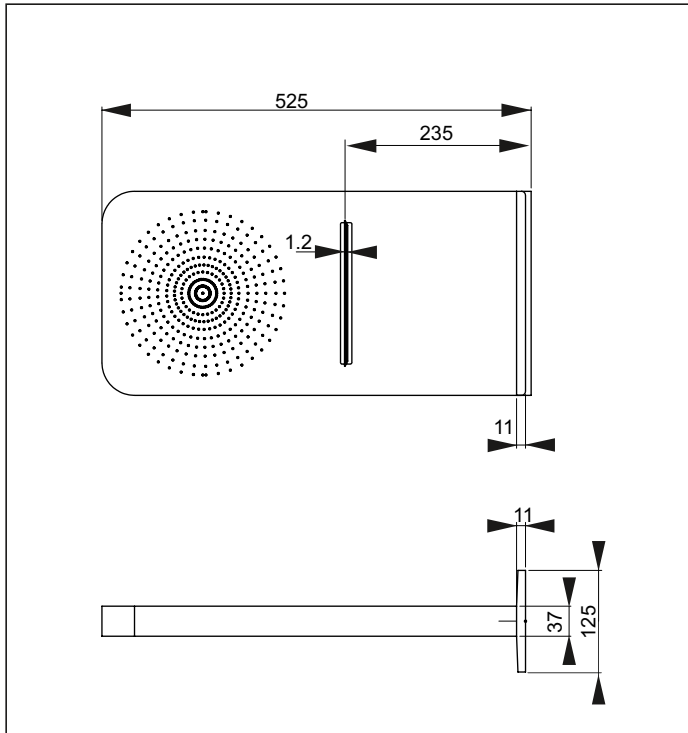


# Shower Roses

## Typhoon Shower



**Code: TY SR** Multi Spray

**Finish:** Chrome

**Function:** Rainhead and Waterfall

**Waterfall:** Reach Length: 235mm  
Waterfall Slit: 165mm x 1.2mm

**Rainhead:** Reach Length: 395mm  
Spray Pattern: @ head = Round 220mm Ø  
@ 1/2m = Round 220mm Ø

**Faceplate Dimensions:** 125mm (h) x 270mm (w) x 11mm (d)

**Water Inlet:** 15mm (1/2" BSP) Female on Left and Right of installation box. Inlets are 130mm apart  
Installation box requires two separate feeds, eg via Shower Mixer with Bath Diverter;  
Right Side: Rainhead feed  
Left Side: Waterfall feed

**Installation Hole Diameter:** 145mm x 115mm x 75mm (depth)

**Installation Note:** Installation box (ibox) needs to be installed before the liner/tiles

**Backset:** (Mounting board to front of finished surface)

Minimum: 65mm  
Maximum: 80mm  
Recommended: 75mm

**Flow Control:** PCW9 fitted for regulated flow with mains pressure system

### Suitable for mains pressure only

Recommended Operational Pressure Range: 150 - 600 kPa  
Maximum Operating Temp: 80°C Never to Exceed: 1000 kPa



aquatica



KIWI OWNED COMPANY

NZ • DESIGNED  
• ASSEMBLED  
• TESTED

**Aquatica NZ Limited**

9 Saunders Place,  
Avondale, Auckland.  
Tel: 09-828 2068,  
Fax: 09-828 2069  
Email: info@aquatica.co.nz  
or visit our website:  
**www.aquatica.co.nz**

© copyright Aquatica 2019