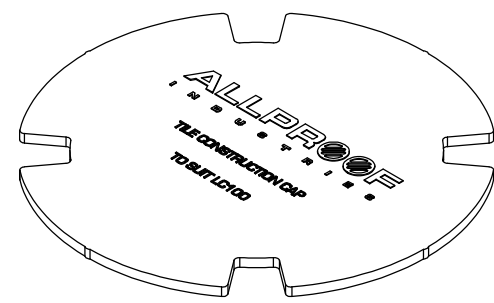
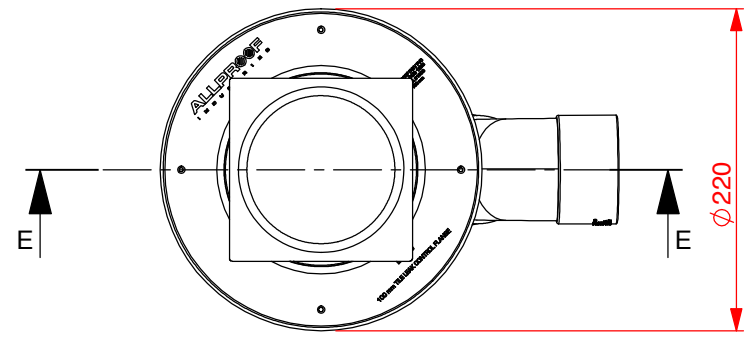
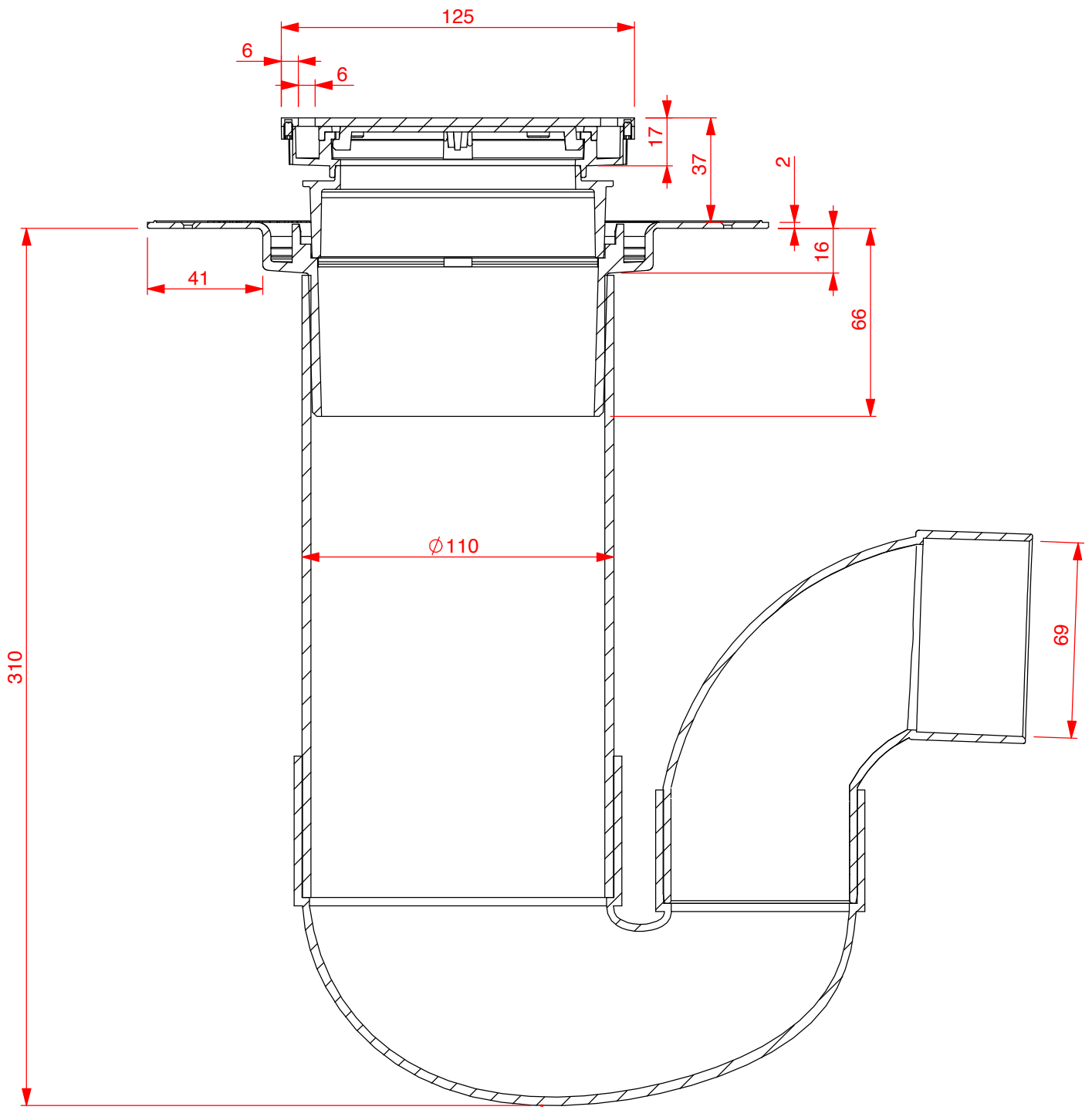


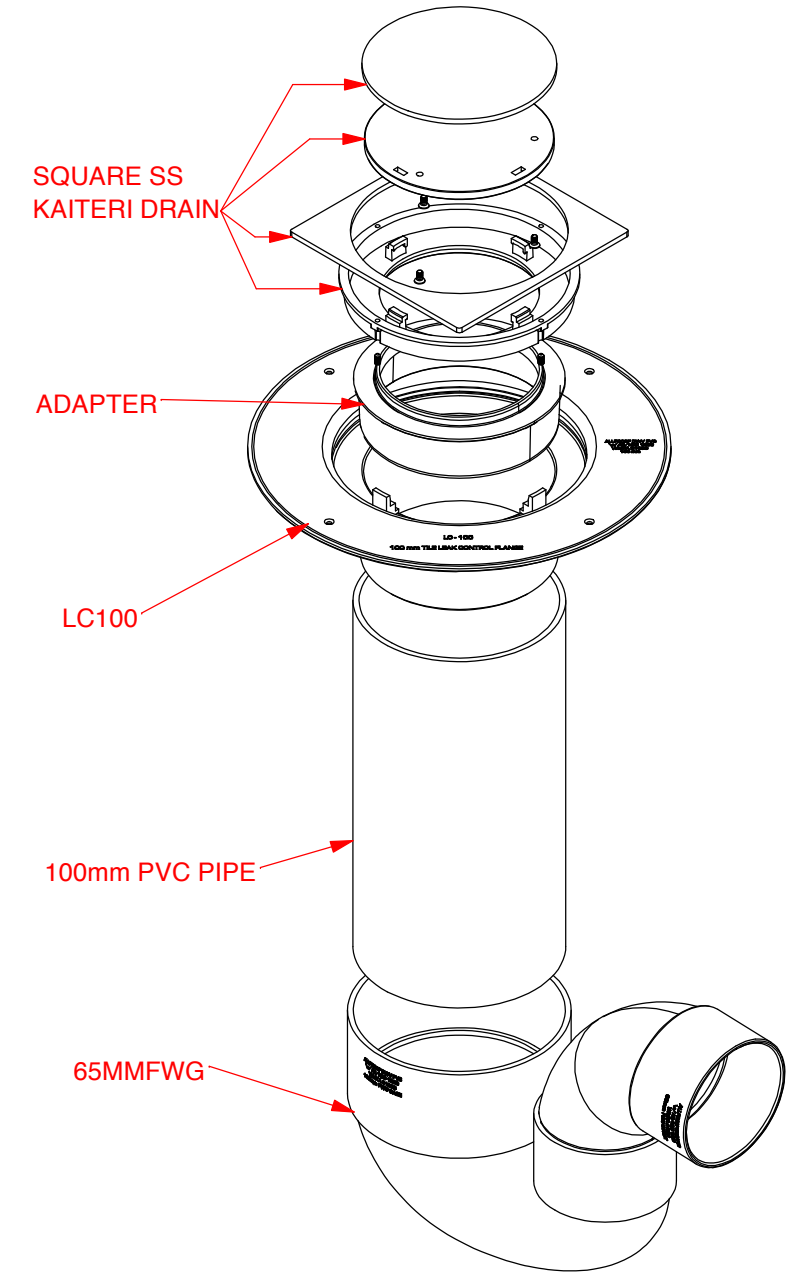
DESCRIPTION	
CODE	FINISH
<b>TKKT100SRSS</b>	<b>STAINLESS STEEL</b>



CONSTRUCTION CAP



SECTION E-E  
SCALE 1 : 2



REVISION	CHANGE	DESCRIPTION	SL	DATE
XXX	XXX	XXX	SL	XXX

DO NOT SCALE DRAWING		TITLE	
REQUESTED	DATE	100mm ROUND IN SQUARE KAITERI SHOWER TILE KIT	
XXX	XXX	65mm FWG	
DRAWN	DATE	APPLICABLE STANDARD(S):	
S.L.	XXX		
APPROVED	DATE	DRAWING REF NUMBER	
		TKKT100SRSS	
MATERIAL		SCALE (UOS) 1:2	
XXX		SHEET 1 OF 1	

DISCLAIMER - THE DESIGN SUGGESTION IS PROVIDED FOR EVALUATION PURPOSES ONLY.  
IT IS NOT TO BE CONSIDERED A FULL DESIGN AS WE ARE NOT THE CONSULTING ENGINEERS, WE ARE MANUFACTURERS. WE ARE NOT PRIVY TO ALL THE INFORMATION PERTAINING TO THIS MATTER AND WE HAVE NO CONTROL OVER THE PROJECT INSTALLATION OF THE PRODUCT. THE DESIGN SUGGESTION IS PROVIDED WITHOUT OBLIGATION. DESIGN IS TO BE CONFIRMED AND APPROVED BY THE ARCHITECT, HYDRAULICS ENGINEER, OR PROJECT MANAGER. ACCURATE MEASUREMENTS SHOULD BE CONFIRMED BY THE PERSON APPROVING THE DESIGN. ALLPROOF ACCEPTS NO LIABILITY FOR THE IMPROPER USE OF THE DESIGN SUGGESTION.

TOOL NUMBER	0.0
PART WEIGHT(GRAMS)	0.0
FILE	S/CAD FILES/2017/DIVERSE/TKKT100