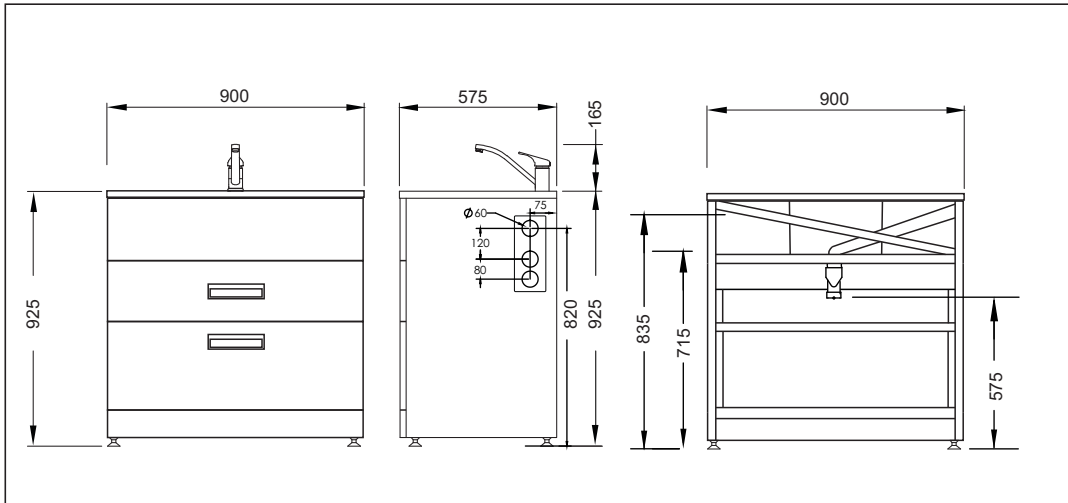


# Aquatica Laundry Tubs

## Studio900

aquatica



### Optional Extras



### Code: STUDIO900

- Robust long-life powder-coated galvanised steel cabinet with rear diagonal brace
- Pressed seamless laundry tub with anti-drip lip
- 5 year warranty on all pressure mixer and Laundry tub cabinet
- Height easily adjustable via feet (approximately 15mm adjustment)
- Top drawer 75% extension quality runners
- Full extension quality drawer runners on lower drawer
- Recessed metal drawer handles
- 20 year warranty on stainless steel bowl and ceramic cartridge
- Bowl size: 520 (L) x 425 (W) x 220 (D)
- Designer overflow capacity greater than 25 l/min
- Standard tap height approximately (≈) 165mm
- Waste outlet approximately 575mm to 590mm from ground depending on height adjustment on feet
- **Area Allowed for Water Inlet Location:**
  - Maximum Height (from floor): 835mm
  - Minimum Height (from floor): 715mm
  - Recommended Height (from floor): 780mm
  - Maximum Width (from Centre line): ± 175mm

**Note:** Inlets can be anywhere in this area provided they do not interfere with trap or waste line

### Suitable for low/unequal & mains pressure systems

Recommended Operational Pressure Range: 35 - 600 kPa  
Maximum Operating Temp: 70°C Never to Exceed: 1000 kPa



KIWI OWNED COMPANY

NZ

DESIGNED  
ASSEMBLED  
TESTED



### Aquatica NZ Limited

9 Saunders Place,  
Avondale, Auckland.

Tel: 09-828 2068,  
Fax: 09-828 2069

Email: [info@aquatica.co.nz](mailto:info@aquatica.co.nz)  
or visit our website:

[www.aquatica.co.nz](http://www.aquatica.co.nz)

© copyright Aquatica 2019