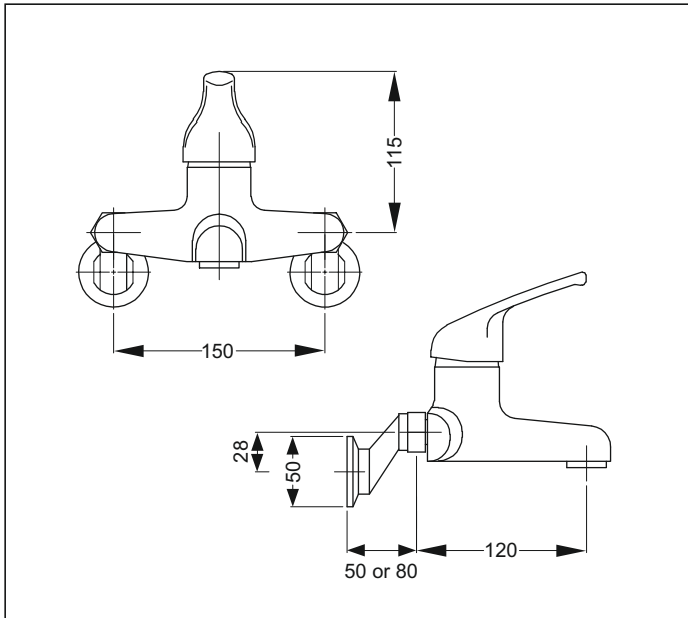


Eco-Smarte

Exposed Bath Mixer (No Diverter)



Code: SM XBMND15 15mm eccentrics - 1/2" BSP female inlet

Code: SM XBMND20 20mm eccentrics - 3/4" BSP female inlet

Finish: Chrome

Water Outlet: M24 ring with flow guide fitted

Eccentrics: Standard: +/- 54mm

Special: +/- 115mm (available on request)

Eccentric height (reach from wall): Standard: 50mm

Special: 80mm

Connection Nut to Eccentric: 29mm A/F

Installation Hole Diameter - 15mm Tap: Minimum: 22mm
Maximum: 45mm

Installation Hole Diameter - 20mm Tap: Minimum: 26mm
Maximum: 45mm

Cartridge: Mondo 40K Plus Raised base

Flow Control: ENT10 must be fitted to cold inlet if on unequal pressure systems

aquatica



KIWI OWNED COMPANY

NZ • DESIGNED
• ASSEMBLED
• TESTED

Aquatica NZ Limited

9 Saunders Place,
Avondale, Auckland.
Tel: 09-828 2068,
Fax: 09-828 2069
Email: info@aquatica.co.nz
or visit our website:
www.aquatica.co.nz

© copyright Aquatica 2019

Suitable for low/unequal & mains pressure systems

Recommended Operational Pressure Range: 35 - 600 kPa
Maximum Operating Temp: 80°C Never to Exceed: 1000 kPa

No WELS rating required