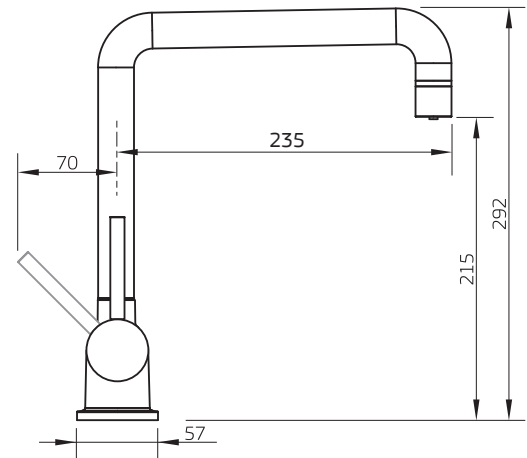


Z1 Filter



TRIPLA-T5

**GENERAL INFO**

**DESIGNED FOR MAINS WATER**

**Quick-Twist Undersink Filter With Tripla T5 LED 3-Way Mixer Tap**

The Z1-T5 'tap & filter' package incorporates the latest Z1 filtration technology and the Tripla triple-action tap all-in-one system.

The Puretec Z1 reduces chlorine, taste, odour, chemicals, sediment and cysts, leaving all vital minerals. This innovative filter is easy to install, mounts horizontally or vertically and valve-in-head technology means the water supply is automatically cut off when you change the cartridge. The Z1 can be as easily replaced as changing a light globe!

The Tripla 3-in-1 mixer tap gives you hot, cold, filtered/or rainwater water, all from just one mixer. The filtered and unfiltered water have completely separate lines inside these taps which means there is no cross contamination between filtered and unfiltered water.

Enjoy water the way it should be, abundant, clear and beautiful tasting from your own water supply, any time of the day.

**SPECIFICATIONS**

Model:	<b>Z1-T5</b>
Filtration System:	<b>Ultra Z Filtration</b>
Replacement Cartridge:	<b>Z1-R</b>
Mixer Tap Style:	<b>3-Way LED Mixer Tap</b>
Mixer Tap Model	<b>TRIPLA-T5</b>
WELS 5 Star Rated	<b>5 Litres/Minute</b>
Outlets:	<b>Hot / Cold &amp; Separately Filtered</b>
Min/Max Temperature:	<b>0° - 38°C (protect from freezing)</b>
Min/Max Pressure:	<b>172 - 500 kPa</b>
Micron Rating:	<b>0.1 Micron*</b>
Capacity:	<b>23,000 litres</b>
Tap Hole:	<b>33 mm Diameter</b>
WaterMark:	<b>AS/NZS 3497 Licence No. WM 74617 Australian Certification Services</b>
Warranty:	<b>6 years^</b>

**FEATURES & BENEFITS**

- Filtration down to 0.1 micron\*.
- DIY quick-twist cartridge change.
- Quick and easy installation.
- Reduces chlorine, pesticides, bad taste, odours, organic chemicals, bacteria, dirt, rust and 99.9% Giardia & Cryptosporidium cysts.
- Mounts horizontally or vertically - no shelf cutouts required.
- All plumbing fittings for standard installation included.
- WaterMark approved.

Important Note: Use only genuine Puretec replacement cartridge. \*Micron rating is nominal. ^Tripla Tapware Warranty is 1 year parts and labour, plus 5 years parts only. Puretec Ultra Z Filter Systems Warranty is 1 year parts and labour, plus 9 years parts only and applies to Puretec Systems when used in conjunction with a Puretec filter cartridge. Excludes cartridges.

For more information contact your local stockist or visit us at [puretecgroupp.com](http://puretecgroupp.com)  
Australia **1300 140 140** | New Zealand **0800 130 140**

**ADDITIONAL INFORMATION**

**Unique Contemporary Design**

The Tripla-T5 is as individual as you are. The unique design is futuristic whilst still adding a stylish contemporary dimension to your kitchen.

The handle with the neatly integrated LED light can be easily turned to operate the filtered water and when the filter is due to be replaced the light turns from blue to red. As with all Puretec Tripla taps there is no mixing of filtered and unfiltered water.

**Hygienic Cartridge Change**

Valve-in-head means no mess, the Z1 quick-twist cartridge can be easily replaced - just like changing a light globe. Enjoy water the way it should be, abundant, clear and beautiful tasting from your own water supply, any time of the day.

**ULTRA Z FILTRATION TECHNOLOGY**



**Stage 1**

- Removes particles.
- Clarifies the water.
- Removes sediment, rust, sand, silt & algae.

**Stage 2**

- Chlorine and chloramine reduction.
- Eliminates bad taste and odours.
- Chemical pesticides & sulphur reduction.

**Stage 3**

- Ultra Z Filtration membrane finely filters to 0.1 micron\*.
- Provides protection against cysts and bacteria, such as E. coli.
- Removes the finest particles.

Protection from



Cysts



Rust



Sand & Silt



Pesticides



Sulphur



Algae