

SPECIFICATION SHEET

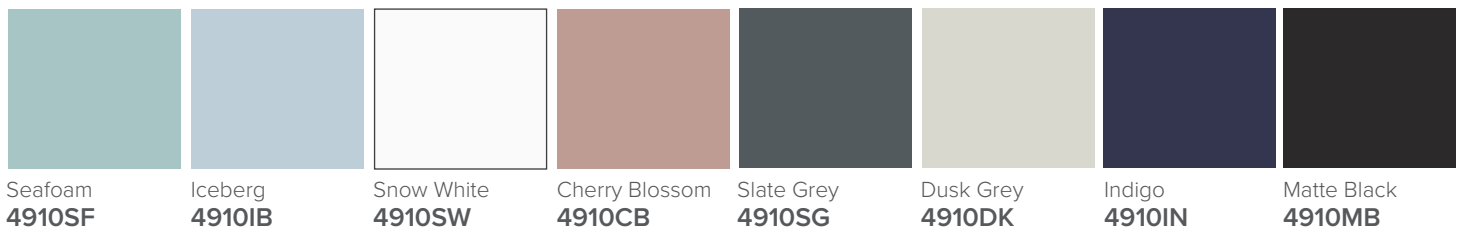
Porscha 900 1-Drawer Wall Hung Vanity



Features

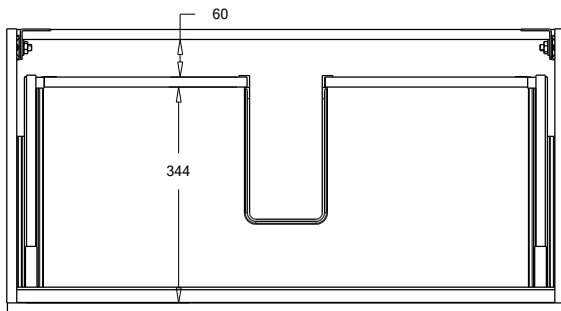
- 1-Drawer Wall Hung Vanity - Colour options below
- StoneCast 20mm Via Basin [Standard] - Upgrade options available
- Full Extension Soft Close Drawer with Extrusion - Extrusion upgrade options available
- Designer Drawer Front - Four Drawer Front options
- Dimensions: H420 x W900 x D465

Cabinet Options

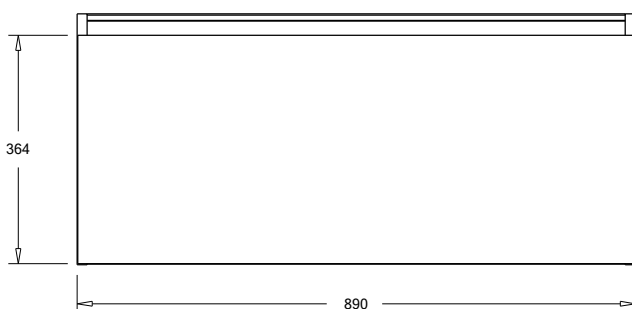
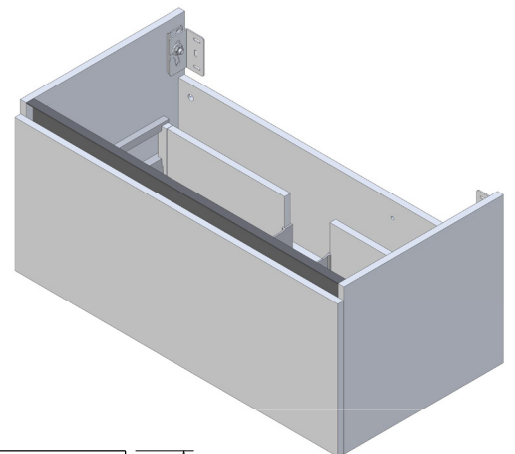


Technical Details

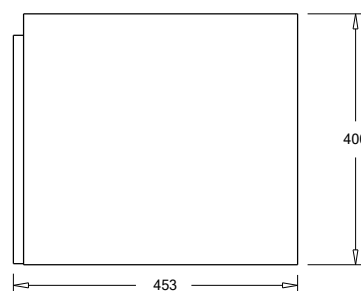
Note: All measurements shown are in millimetres. Sizes are nominal.



TOP VIEW



FRONT VIEW



SIDE VIEW

SPECIFICATION SHEET

Porscha Designer Drawer Fronts

BARNSLEY
18mm Inset Frame
Code: BL



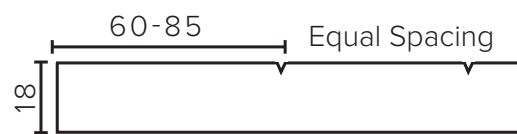
PRESTON
60mm Inset Frame
Code: PT



TURNBERRY
Ripple Design Panel
Code: TB



NEWPORT
V-Groove Panels
Code: NP



Seafoam



Iceberg



Snow White



Cherry Blossom



Slate Grey



Dusk Grey



Indigo



Matte Black