

SPECIFICATION SHEET

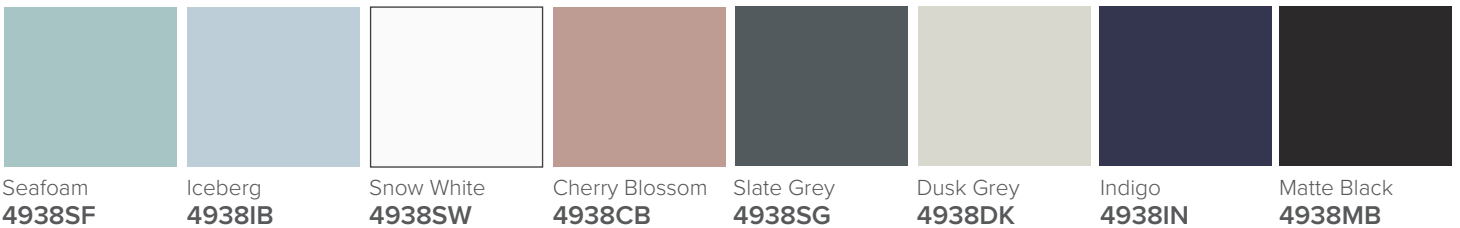
Porscha 600 2-Drawer Wall Hung Vanity



Features

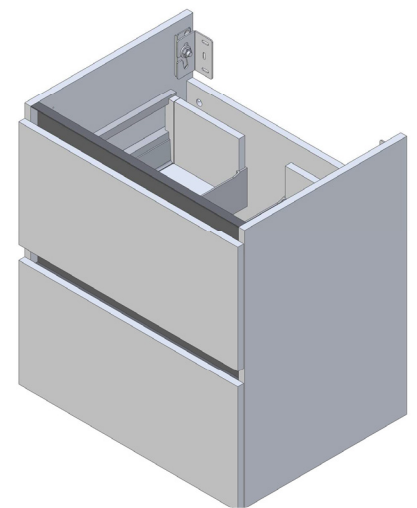
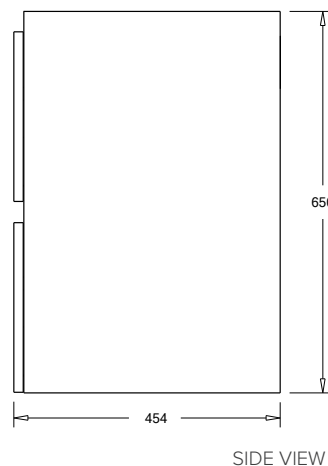
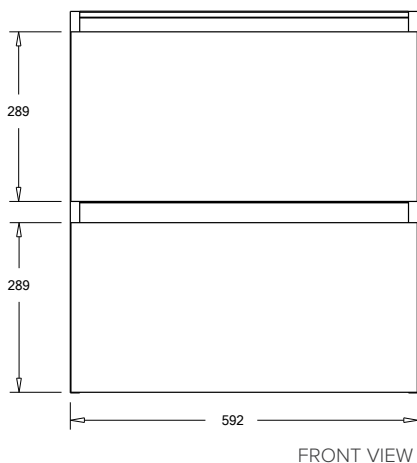
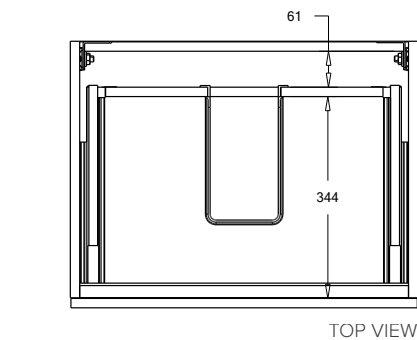
- 2-Drawer Wall Hung Vanity - *Colour options below*
- StoneCast 20mm Via Basin [Standard] - *Upgrade options available*
- Full Extension Soft Close Drawers with Extrusions - *Extrusion upgrade options available*
- Designer Drawer Fronts - *Four Drawer Front options*
- Dimensions: H670 x W600 x D465

Cabinet Options



Technical Details

Note: All measurements shown are in millimetres. Sizes are nominal.



SPECIFICATION SHEET

Porscha Designer Drawer Fronts

BARNSLEY
18mm Inset Frame
Code: BL



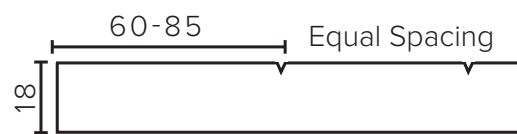
PRESTON
60mm Inset Frame
Code: PT



TURNBERRY
Ripple Design Panel
Code: TB



NEWPORT
V-Groove Panels
Code: NP



Seafoam



Iceberg



Snow White



Cherry Blossom



Slate Grey



Dusk Grey



Indigo



Matte Black