

# SPECIFICATION SHEET

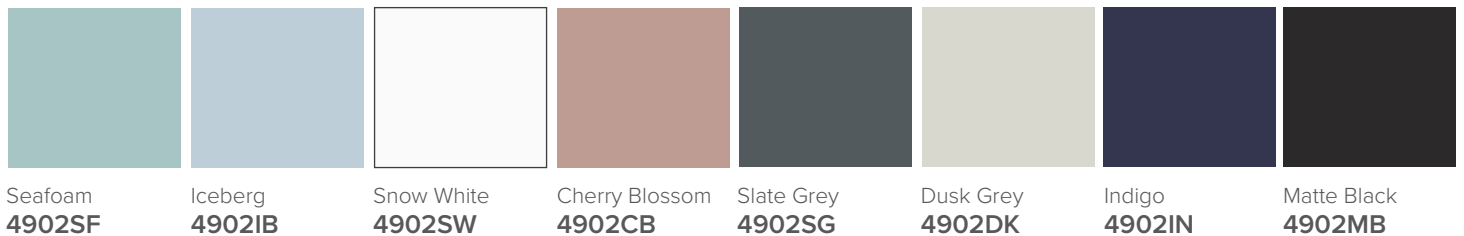
## Porscha 600 1-Drawer Wall Hung Vanity



### Features

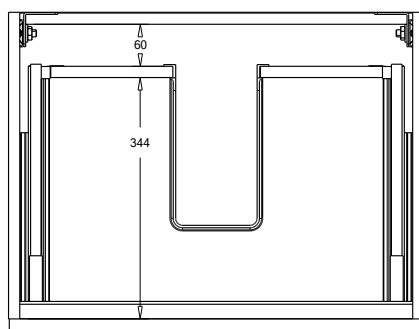
- 1-Drawer Wall Hung Vanity - *Colour options below*
- StoneCast 20mm Via Basin [Standard]  
- *Upgrade options available*
- Full Extension Soft Close Drawer with Extrusion  
- *Extrusion upgrade options available*
- Designer Drawer Front - *Four Drawer Front options*
- Dimensions: H420 x W600 x D465

### Cabinet Options

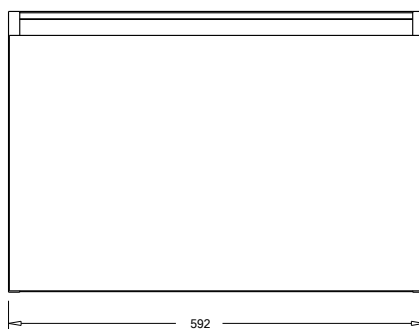


### Technical Details

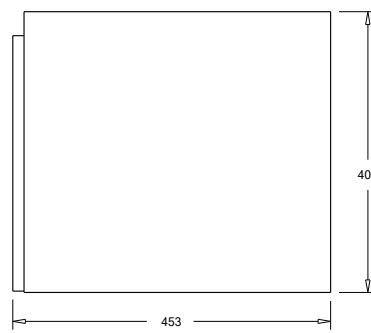
Note: All measurements shown are in millimetres. Sizes are nominal.



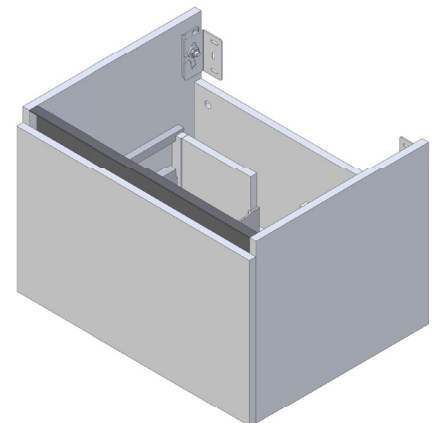
TOP VIEW



FRONT VIEW



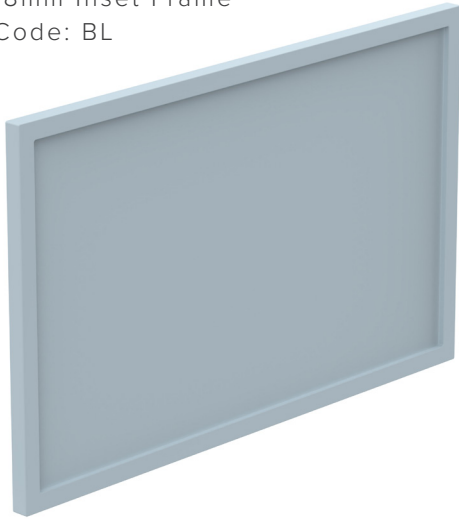
SIDE VIEW



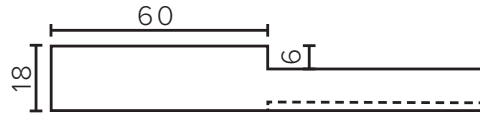
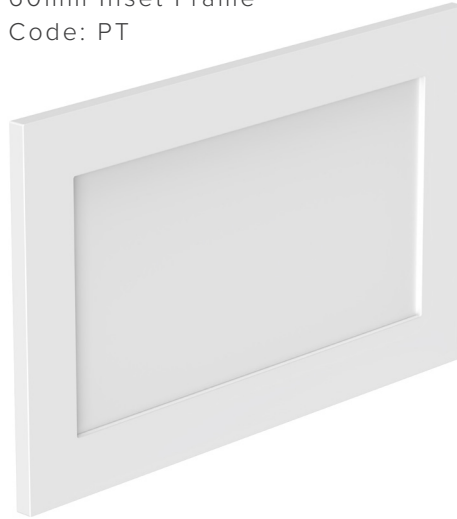
# SPECIFICATION SHEET

## Porscha Designer Drawer Fronts

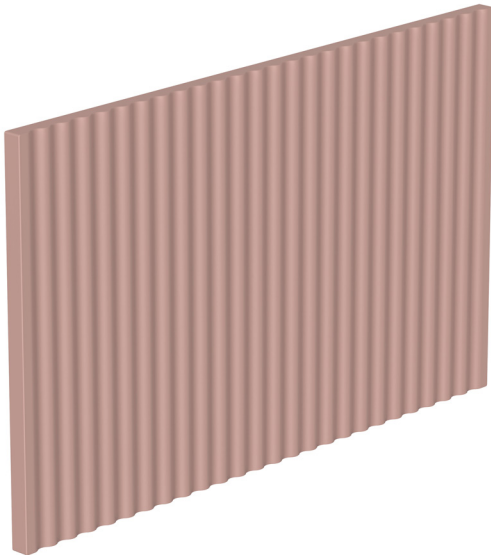
**BARNSLEY**  
18mm Inset Frame  
Code: BL



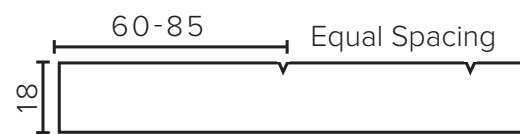
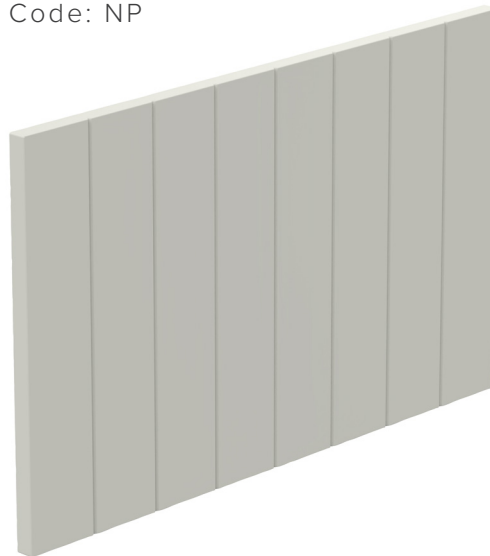
**PRESTON**  
60mm Inset Frame  
Code: PT



**TURNBERRY**  
Ripple Design Panel  
Code: TB



**NEWPORT**  
V-Groove Panels  
Code: NP



Seafoam



Iceberg



Snow White



Cherry Blossom



Slate Grey



Dusk Grey



Indigo



Matte Black