

Flush Plates - Pneumatic In Wall Cisterns

Flush Plate / IN WALL CISTERN **F - IWT**

Product

- Pebble® Pneumatic Flush Plate
- Lynk® Pneumatic Flush Plate

Kohler Code

20341T-PNE-CP
75890T-PNE-CP

Features

- Simple design to suit most bathroom designs
- Easy to clean
- Compatible with pneumatic in wall cisterns
- Can be removed for easy access to inner cistern

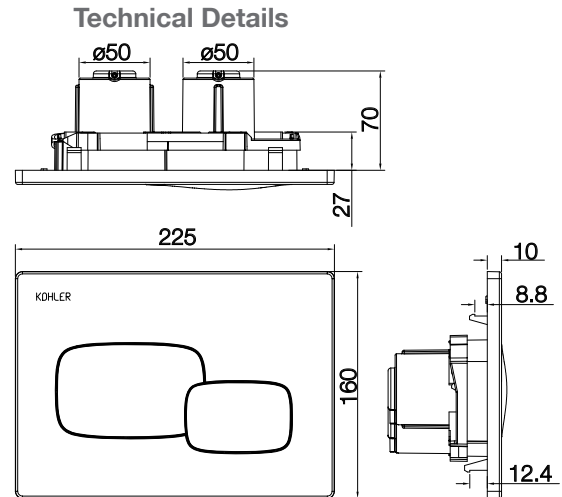
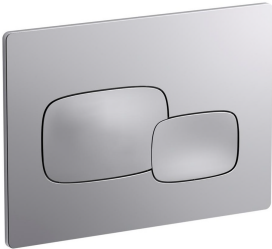
Matching in wall cisterns:

- Pneumatic In Wall Cistern without frame slim (Wall Faced)
- Pneumatic In Wall Cistern without frame short height (Wall Faced)

Kohler Code

78077A-PNE-NA
78074A-PNE-NA

• Pebble® Pneumatic Flush Plate

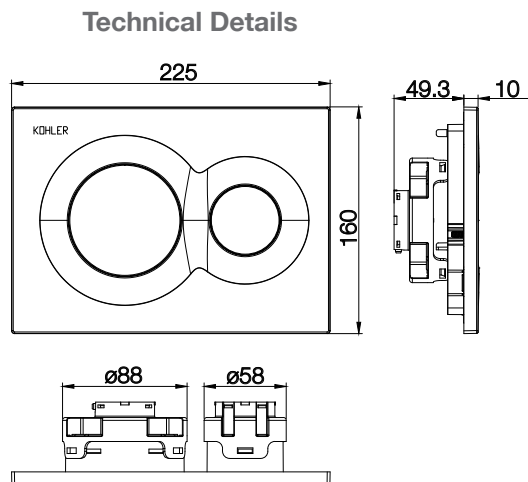


Colour Options



20341T-PNE-CP - Polished Chrome

• Lynk® Pneumatic Flush Plate



Colour Option



75890T-PNE-CP - Polished Chrome