

PRO SERIES IN-LINE FAN SFLP125 MODELS

Thank you for selecting our Manrose Pro Series 125mm In-Line Fan Kit. Please read all instructions before commencing installation.

1. First select the grille you prefer in your room. There are two designs a circular eggcrate fascia or a square low profile fascia to choose from for the interior grille.
2. The **interior grille** comes in two parts, the chassis (or spigot) and the fascia options. If using the gib-fixing clips option cut a 130mm hole in the ceiling directly over the shower head ensuring first that the area above is free from obstruction and between two joists. If not using the gib fixing clips option, cut a 125mm diameter hole.
3. If using the gib fixing clip option the white fastening wedge-type clips must be fitted onto the grille body – the closed end of the 'V' points towards the rear of the grille. Start the screw through the flange on the grille into the screw-hole in the clip with two or three turns. If the ceiling or wall lining is thicker than standard 12mm board it may be necessary to use longer screws than those supplied. When fitted, fasten the ducting onto the grilles using the tape supplied.

Push the grille fully into the hole and then use a screwdriver to push the clips up into the hole. Once through the hole the clips will spring open and can then be tightened with the screw to pull back down onto the rear side of the lining. Tighten until firm only, do not over-tighten.

Fit the chosen fascia onto the chassis. Note if using the round option, there are two lugs on the rear rim of the egg-crate insert which locate into corresponding slots in the black housing, adjacent to the ends of the bridge-piece in the housing. This ensures the egg-crate pattern is lined up with the bridge-piece correctly.

4. Select a suitable place for the Fan to be screwed to a joist and secure using two screws through the fixing bracket. The fan motor is of ball bearing design to prolong the life of the motor. **Note: The discharge end of the Fan unit is the end where you can see the back draught shutter. There is also an arrow on the unit showing airflow direction.**
5. For the **exterior grille** there is also a choice of options, either a weatherproof cowl or a fixed grille. Select a suitable position either in the soffit or on an outside wall for your chosen grille. Carefully remove the grille insert/cowl from its housing by levering gently at the sides with a small screwdriver. Cut a 135mm hole ensuring first that the area above is free from obstruction.
6. Attach one end of the flexible duct to the spigot with the duct tape provided and from the outside feed the duct through the hole until the grille is flush with the soffit/wall. Mark the position of the fixing holes on the soffit/wall. Drill the holes and screw the grille to the soffit/wall then refit the chosen grille to the chassis.

Note: It is best not to cut the flexible duct until the grille has been screwed to the outside surface to avoid the possibility of cutting the duct too short.

Flexible Duct

The Shower Fan
screwed to the joist

Internal
Grille

External
Grille

IMPORTANT

- Isolate the mains supply before making any electrical connections.
- This system should be installed by a qualified electrician.
- When fitting through an external wall, an external grille must be fitted at all times.
- Fan should only be installed by fixed wiring, a flexible cord should not be used.
- The appliance is not intended for use by young children or infirm persons without supervision.
- Young children should be supervised to ensure that they do not play with the appliance.
- Precautions must be taken to avoid the back-flow of gases into the room from the open flue of gas or other open-fire appliances when mounted in outside windows or walls.

We reserve the right to change specification without prior warning



Manrose is proudly distributed by Simx Limited
PO Box 14 347, Panmure, Auckland, NZ. Technical Support (09) 259 1662
e: sales@simx.co.nz | www.simx.co.nz | www.manrose.com.au

Diagram W1

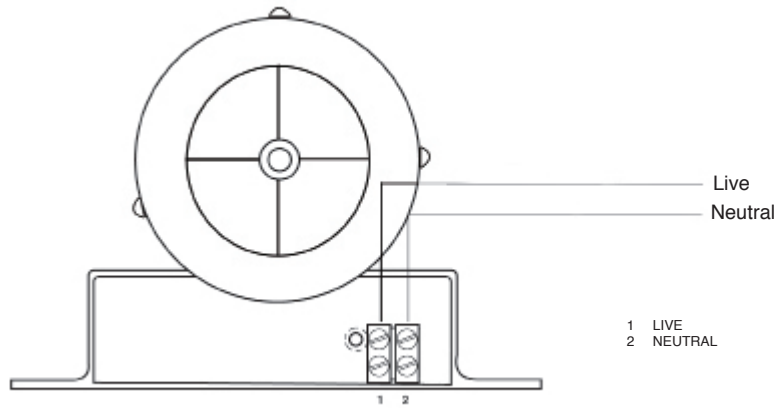
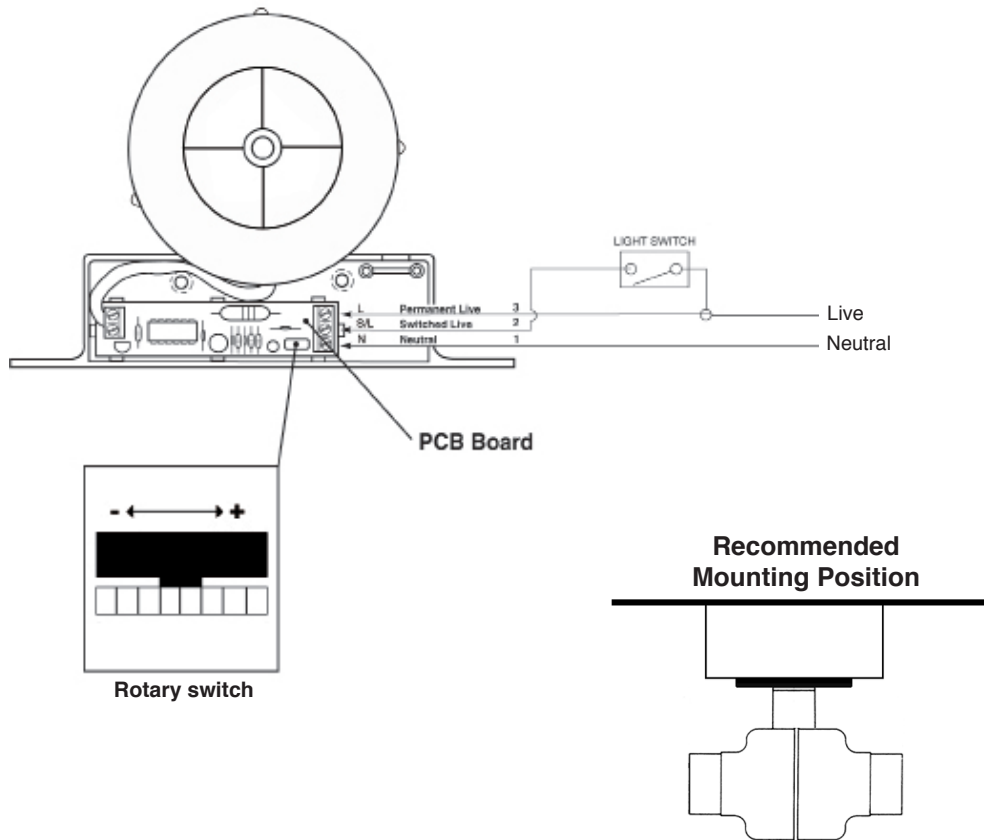


Diagram W2



- Pull the flexible duct gently to the discharge spigot of the fan and cut it to length and connect to the fan with duct tape provided.

Note: The discharge end of the Fan unit is the end where you can see the fan blade clearly. There is also an arrow on the unit showing airflow direction.

- Connect the remaining piece of duct to the ceiling grille and onto the fan using the duct tape provided. **Note:** Make sure wherever possible to keep the duct running in a straight line as this will improve the performance of the fan.
- Remove the cover on the Fan Bracket and make the electrical connection as follows:

Wiring of Standard Model FAN0328 - SF200S (Diagram W1)

The fan can be connected to the light switch so that the fan will start when the light is switched on, or a dedicated fan switch (not supplied). The fan should not be accessible to a person using either the shower or the bath.

Note: All wiring must be fixed securely and the cable to the fan should be a minimum of 1mm² in section. All wiring must comply with current Regulations. This system should be installed by a qualified electrician.

10. Wiring of Timer Model FAN0329 - SF200T (Diagram W2).

The fan can be connected to the light switch so that the fan will start when the light is switched on, or a dedicated fan switch (not supplied).

Note: All wiring must be fixed securely and the cable to the fan should be a minimum of 1mm² in section. All wiring must comply with current Regulations. This system must be installed by a qualified electrician.

When the light is switched off the fan will run for between 20 sec & 30 minutes (pre-set to 1 minute). The fan should not be accessible to a person using either the shower or the bath.

11. Timer Adjustment SF200T & SF200T only

This time delay can be adjusted by firstly switching off the power to the fan and removing the cover. Locate the rotary adjuster as shown in **Diagram W2**. The serrated adjuster wheel can be rotated using a thumbnail to adjust the timer setting.

- + = Rotate to the right to increase the time (indicated by + on the diagram)
- = Rotate to the left to decrease the time (indicated by - on the diagram)

Only adjust with power switched off.

NOTE:

This unit is double insulated and therefore does not require an earth. The time delay is preset for approximately one minute and can be adjusted as described in paragraph 11. Try to keep the duct as straight as possible and wherever possible keep the distance between the ceiling grille and the external soffit or wall as short as possible as the shorter the length of duct the better the performance of the fan.

Specifications

Electrical: 220-240V ~ 50Hz
 Fan Wattage: 20W
 IP Rated: IP44
 Airflow: 39l/s (140m³/hr)

Max Temp: 40°C
 Max Pressure: 120Pa
 Sound Volume: 45dB(A)

