

SPECIFICATION SHEET

Oxley Luxe 1200 4-Drawer Double Basin Wall Hung Vanity



Features

- 4-Drawer Wall Hung Vanity - *Colour options below*
- Full Extension Soft Close Drawers with Extrusions - *Extrusion upgrade options available*
- Dimensions: H670 x W1200 x D465
- Slab Top Options:
20mm StoneCast Top or Quartz Slab Top

*Note: Vessel basins are purchased separately.
Visit www.newtech.co.nz for the full range of vessel basin options.*

Cabinet Options



Seafoam
4484SF

Iceberg
4484IB

Snow White
4484SW

Cherry Blossom
4484CB

Slate Grey
4484SG

Dusk Grey
4484DK

Indigo
4484IN

Matte Black
4484MB

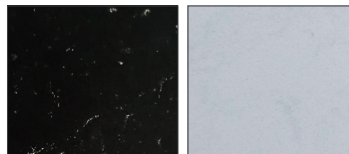
StoneCast Slab Top Options



Gloss White
SC

Matte White
SCMW

Quartz Slab Top Options



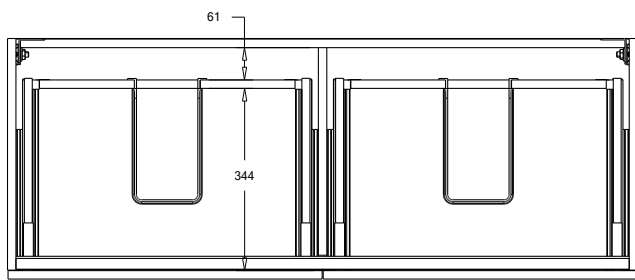
Midnight Stone
MS

Himalaya
HY

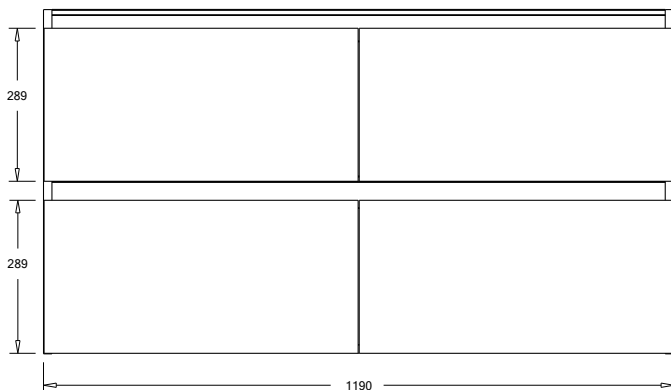
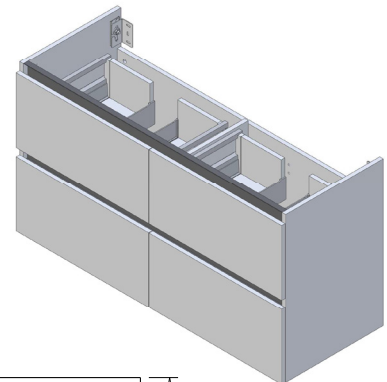
Note: To order a Slab Top, add the Slab Top code to the cabinet code

Technical Details

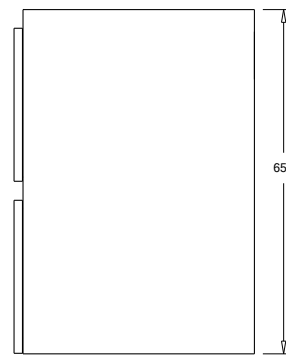
Note: All measurements shown are in millimetres. Sizes are nominal.



TOP VIEW



FRONT VIEW



SIDE VIEW