

SPECIFICATION SHEET

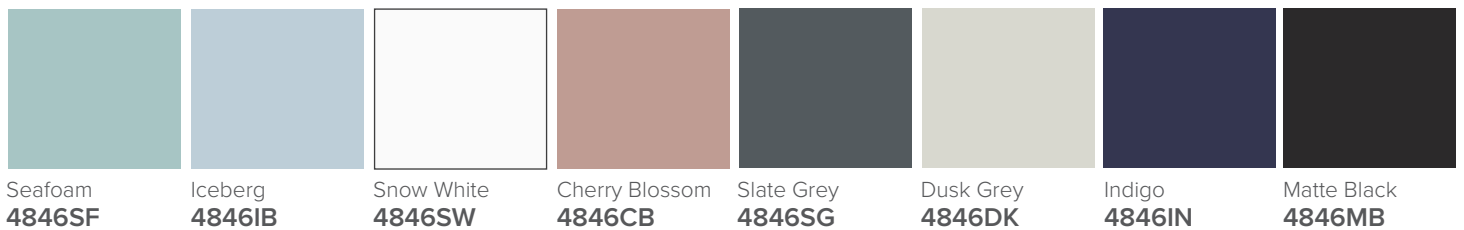
Oxley 600 2-Drawer Wall Hung Vanity



Features

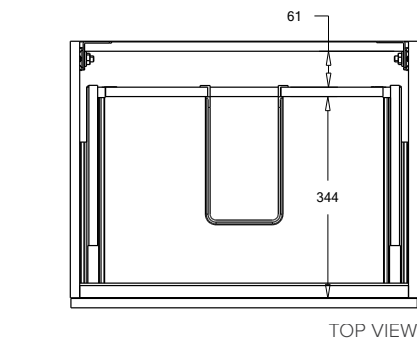
- 2-Drawer Wall Hung Vanity - *Colour options below*
- StoneCast 20mm Via Basin [Standard] - *Upgrade options available*
- Full Extension Soft Close Drawers with Extrusions - *Extrusion upgrade options available*
- Dimensions: H670 x W600 x D465

Cabinet Options

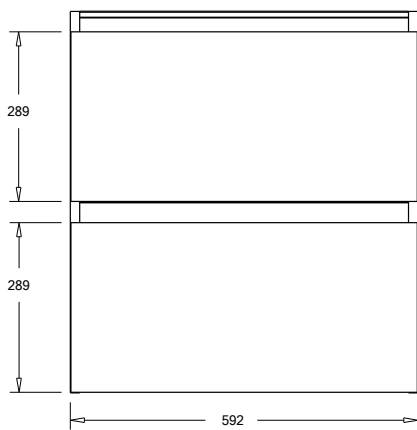


Technical Details

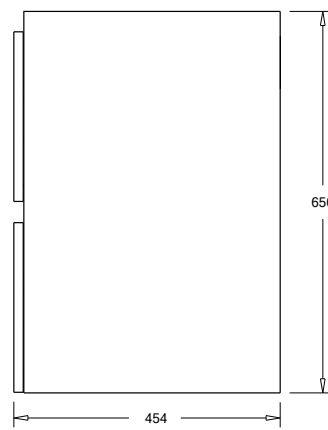
Note: All measurements shown are in millimetres. Sizes are nominal.



TOP VIEW



FRONT VIEW



SIDE VIEW

