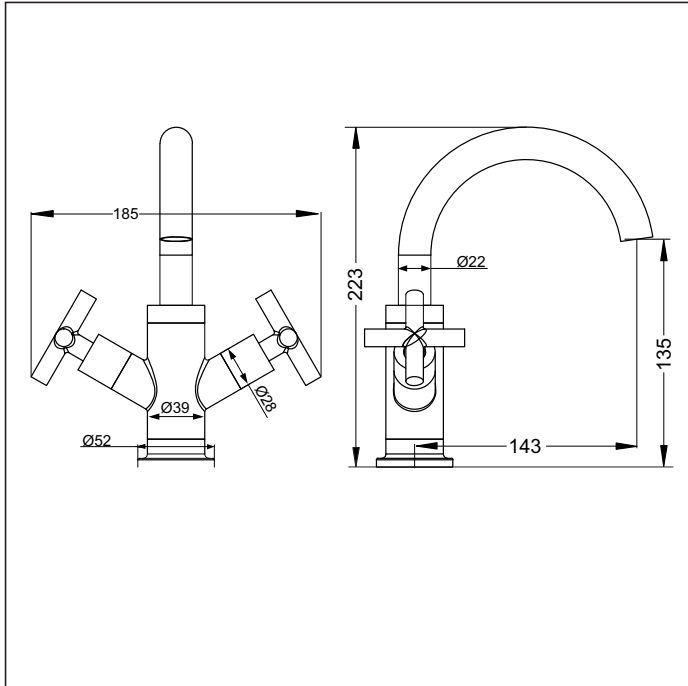


Mini Kris

One Hole Basin Mixer

aquatica



Code: MK 1BASIN

Finish: Chrome

Mechanism: 90° Ceramic Mechanism, Left and Right Handed

Spout: Chromed tubular brass. Swivel 360°

Spout screwed to body by M34 x 1mm thread 39mm Ø and 28mm

Seal = 2 24 x 2.5 mm O-rings

Body: Chrome plated brass

Handles: Chrome plated, die cast zinc 12mm Ø spokes

Cover threaded M25 x 1mm

Water Inlet: 1/2" BSP Female

Stainless Steel Inlet Hoses: Hot: Size: M10 x 1/2" BSP
Length: 300mm

Cold: Size: M10 x 1/2" BSP
Length: 300mm

Water Outlet: Aerator cache 18.5mm

Mounting: Mounting Hardware: Nut: 34mm A/F

32 x 1.5mm threaded tube + nut with screw lock

Max Bench Thickness = 40mm

Flow Control: NIL

Max Hot Flow @ 35 kPa: 3.8 l/min



KIWI OWNED COMPANY

NZ • DESIGNED
• ASSEMBLED
• TESTED

Aquatica NZ Limited

9 Saunders Place,
Avondale, Auckland.

Tel: 09-828 2068,

Fax: 09-828 2069

Email: info@aquatica.co.nz

or visit our website:

www.aquatica.co.nz

© copyright Aquatica 2019

Suitable for low/unequal & mains pressure systems

Recommended Operational Pressure Range: 20 - 600 kPa

Maximum Operating Temp: 80°C Never to Exceed: 1000 kPa



Please note: Specifications are subject to change without notice. It is the responsibility of the installer to check the measurements of the physical product before installation