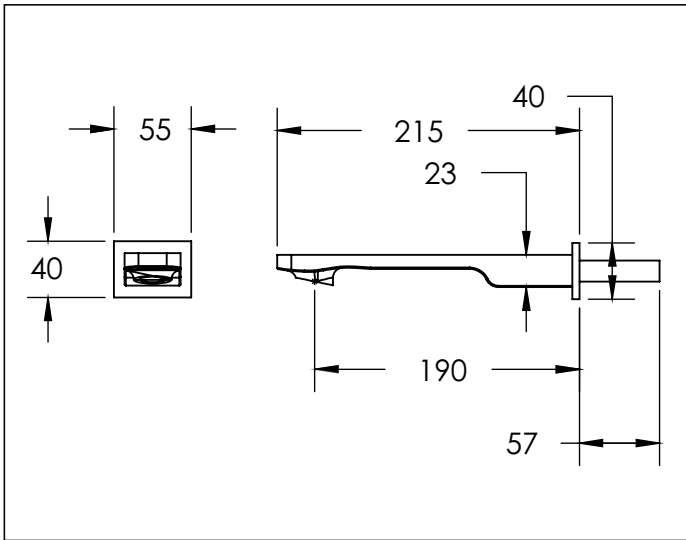


Mia

Bath Spout

aquatica



Code: MI BS

MI BS BLK

MI BS GM

MI BS BN

Finish: Chrome

Black

Gunmetal

Brushed Nickel

Inlet: 1/2" BSP Male Spigot

Water Outlet: 24mm Diameter cache laminar flow

Installation Hole Diameter: Minimum: 24mm
Maximum: 30mm

Mounting: Fit threaded spigot into wing back in wall. Then slide spout on and lock with grub screws

Flow Control: Nil regulation

Max Hot @ 35kPa = 13.6 l/min



KIWI OWNED COMPANY

NZ • DESIGNED
• ASSEMBLED
• TESTED

Aquatica NZ Limited

9 Saunders Place,
Avondale, Auckland.
Tel: 09-828 2068,
Fax: 09-828 2069
Email: info@aquatica.co.nz
or visit our website:
www.aquatica.co.nz

© copyright Aquatica 2019

Suitable for mains pressure only

Recommended Operational Pressure Range: 150 - 600 kPa
Maximum Operating Temp: 80°C Never to Exceed: 1000 kPa

No WELS rating required