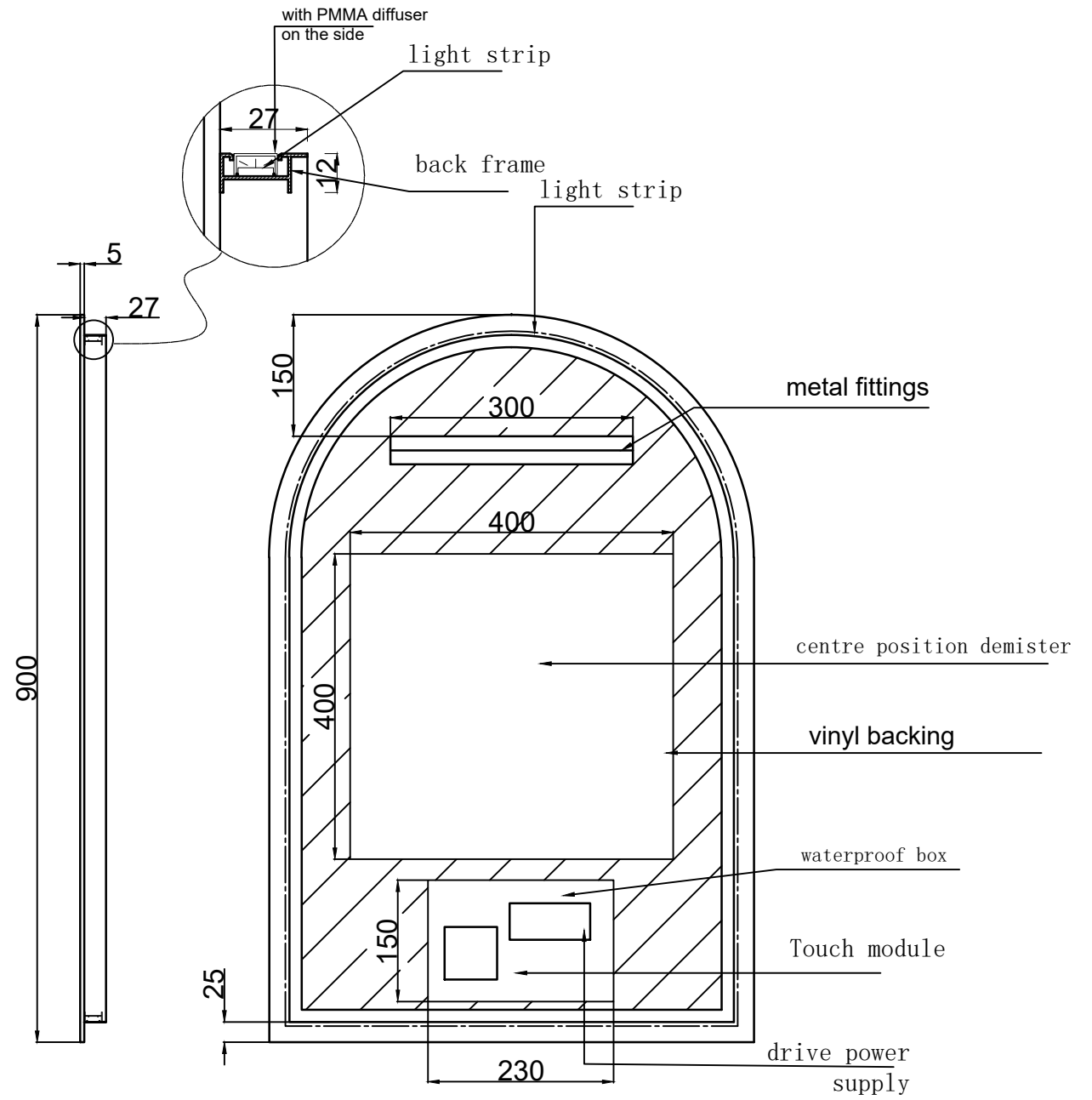




front side



side

backside

Keystroke laser hollow out

| | | | | | | | | | | |
|---|-------------------------|------------|----------|-----------|-------|----------------|-------------------------|--|---|---------------------------|
|  | DRAWN BY | CHECKED BY | APPROVED | DATE | UNITS | Drawing Number | LEDARCH90X60 | INPUT: AC220V-240V 50/60HZ |  | |
| | | | | 2023.7.18 | mm | MATERIAL | | 5mm copper and lead free mirror, ARCH shape, flat polished edges, clear edge seal, vinyl backing as drawing, with center position demister, changeable light strip 2835 120LED/M 3000K-6000K (cool white - natural white - warm), dimmable with PMMA cap, memory function, 1 button on surface, SAA power supply, 1 meter long connector, no plug, waterproof box without backboard, Z shape aluminium bar fixing, screws and white nylon screw type plugs, spacer, full white box and color sticker 500x400mm | | |
| | | | | | | TYPE | | | | |
| | TRENDY MIRRORS CO., LTD | | | | | | TEL | | | +64 34 64 644 |
| | | | | | | | E-mail | | | sales@trendymirrors.co.nz |
| | | | | | | URL | www.trendymirrors.co.nz | | | |