

## DESCRIPTION

White Kordura Inset Laundry Sink

## PRODUCT CODE

MP803

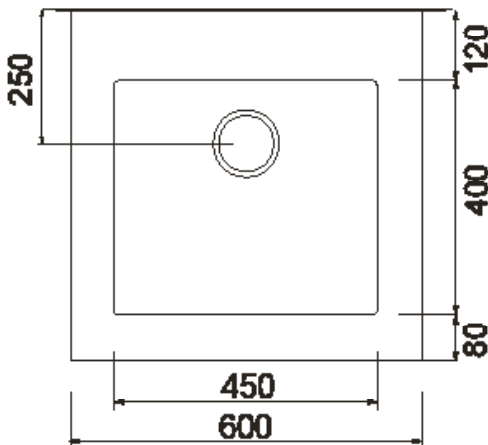


## FEATURES

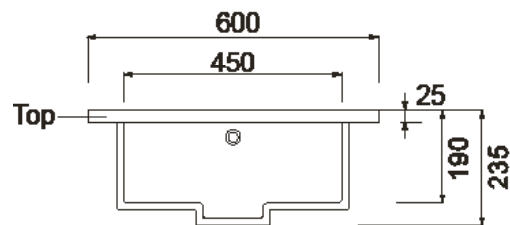
- Dimensions - W 450 x H 210 x D 400mm
- Impeccably smooths curves, seamlessly integrated with its top, meaning no silicone joins.
- Manufactured from Kordura with a white matte finish.
- Made with extremely durable, water, scratch, heat and stain resistant. Hard yet soft to touch, easy care and very hygienic.
- Include a convenient waste basket to trap small objects.
- Pair it with any of our laundry cabinets available in a variety of sizes and finishes.
- NB: Designed for laundry cabinets only (not to be sold separately).
- NB: Tapware not included.

## TECHNICAL DRAWINGS

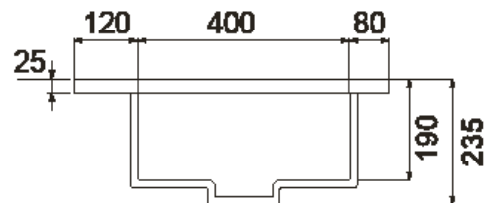
Top



Side Section



Front



## NOTES

• Shown above with a Kordura top (for 600 Laundry Cabinet). • Tapware & accessories not included. • Drawing indicates the technical measurement only and is not a reflection of how the product will look. Sizes nominal only. Drawings in millimetres. Not to scale. July 2021.