

Product

- Kallos spun glass under counter basin

Kohler Code

2361-B11



Included Components

- Bench fixing clips
- Bench fixing anchors and screws

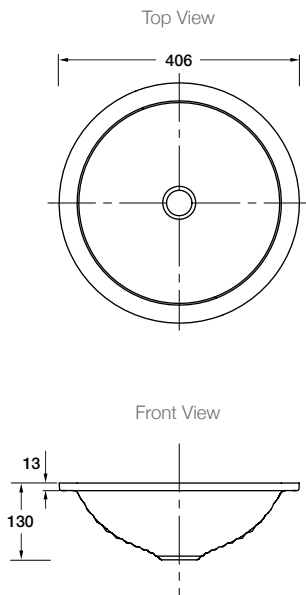
Features

- Under bench top installation
- Made from strong, durable spun glass
- Fits in or with a standard size countertop

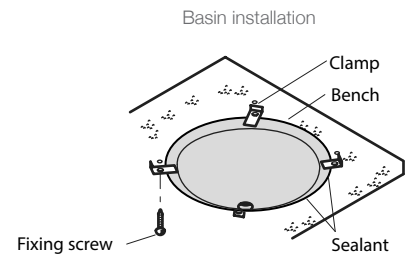
Optional Accessories

- Tapware
- Generic basin accessories

Technical Details



Vol: 3.7L



Installation Notes:

- To install, a hole must be made in the bench top. Flexible silicone sealant (not supplied) is then applied to the top side of the basin and clamps (supplied) are used to fix the basin to the underside of the bench.