

Product

- July wall mount basin set

Kohler Code

8124A-4ND-CP

**Included Components**

- In wall valve
- Trim kit
- Spout

Features

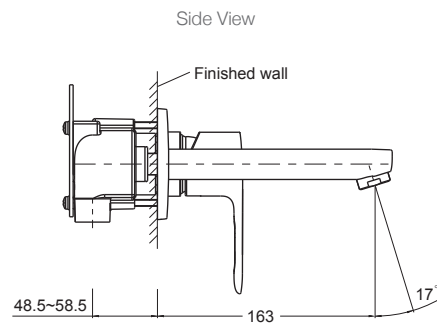
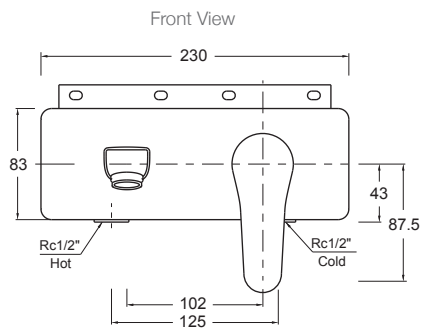
- Polished chrome
- Metal construction
- Ceramic disc valve
- Suitable for mains pressure
- KOHLER finishes resist tarnishing and corrosion



WELS RATING
(6 Star 4.5 Litres / min)

Related Products

- July tapware
- July accessories

Technical Details**Installation Notes:**

- Rc1/2" female inlets.
- Optimum working pressure 300-500 kPa.
- Maximum hydrostatic pressure 800 kPa (This pressure may be exceeded only under test conditions).
- Maximum temperature 80°C.
- Where normal working pressure exceeds the maximum, pressure limiting valves should be installed.
- Inline filters should be used to protect tapware from debris that may be present within the plumbing.