

BEFORE YOU BEGIN

- Please read these instructions carefully to familiarize yourself with the required tools, materials, and installation sequences. Follow the sections that pertain to your particular installation. This will help you avoid costly mistakes.
- All information in these instructions is based upon the latest product information available at the time of publication. Kohler NZ reserves the right to make changes in product characteristics, packaging, or availability at any time without notice.
- These instructions contain important care, cleaning, and warranty information - please leave instructions for the consumer.
- Turn off the water supply.
- The plumbing installation must comply with Water Supply Regulations / Bylaws. The installation of the waste and tapware must be carried out by a plumber.
- Before installation carefully inspect the vanity for any signs of damage, if damage has occurred do not proceed with the installation, and advise your supplier immediately.

ORDERING INFORMATION

This installation covers the following products in the TOOBI II range:

TOOBI II 600 Single Drawer Vanity - Slate.....	25802A-NA
TOOBI II 600 Single Drawer Vanity - Midnight.....	25803A-NA
TOOBI II 600 Single Drawer Vanity - Sand Dune.....	25804A-NA
TOOBI II 600 Vanity With Top Utility Drawer - Slate.....	25805A-NA
TOOBI II 600 Vanity With Top Utility Drawer - Midnight.....	25806A-NA
TOOBI II 600 Vanity With Top Utility Drawer - Sand Dune.....	25807A-NA
TOOBI II 900 Single Drawer Vanity - Slate.....	25808A-NA
TOOBI II 900 Single Drawer Vanity - Midnight.....	25809A-NA
TOOBI II 900 Single Drawer Vanity - Sand Dune.....	25810A-NA
TOOBI II 900 Vanity With Top Utility Drawer - Slate.....	25811A-NA
TOOBI II 900 Vanity With Top Utility Drawer - Midnight.....	25812A-NA
TOOBI II 900 Vanity With Top Utility Drawer - Sand Dune.....	25813A-NA

SAFETY WARNING

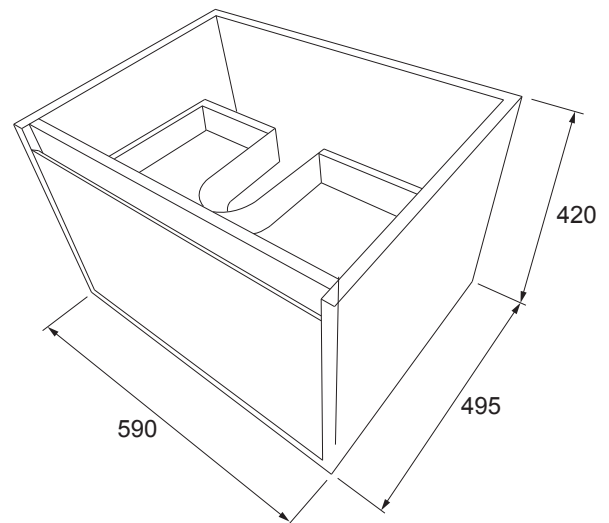
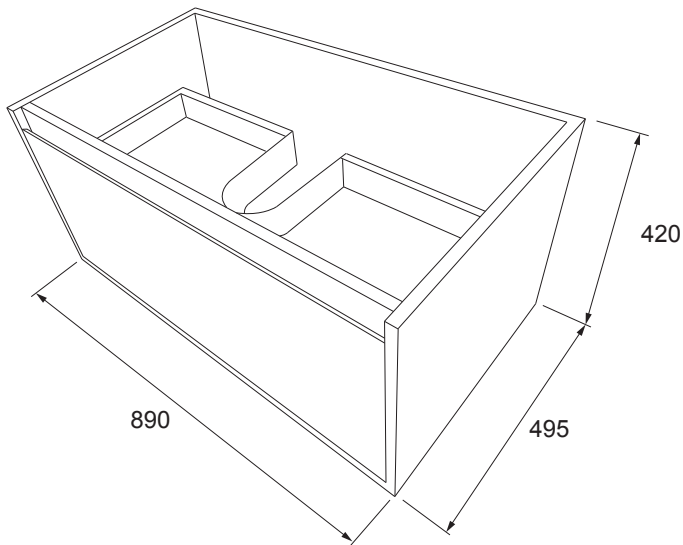
Kohler products are should give continued superior and safe performance, provided:

1. They are installed, commissioned, operated and maintained in accordance with the recommendations given in this Manual.
2. Periodic attention is given, as necessary, to maintain the products in good functional order. Refer to 'User Information' on page 6 of this manual.
3. When installing Kohler Products, manufacturers guidelines for power tool safety should be followed.

CABINETRY ROUGH-IN

Reference Value

UNIT : mm



Kohler reserves the right to change marked dimensions without prior notice.

PLUMBING INSTALLATION

- (a) Install the services. Hot and Cold inlets must be connected to the correct inlet pipes.
- (b) Install the waste in accordance with the manufacturers instructions together with the overflow kit as shown in Fig. 1.

Recommended: Kohler Click-Up DN32 Waste (7119A-*)

Caution! Make sure a watertight seal exists on all drain connections.

Caution! Provide access to the plumbing connections for future plumbing maintenance.

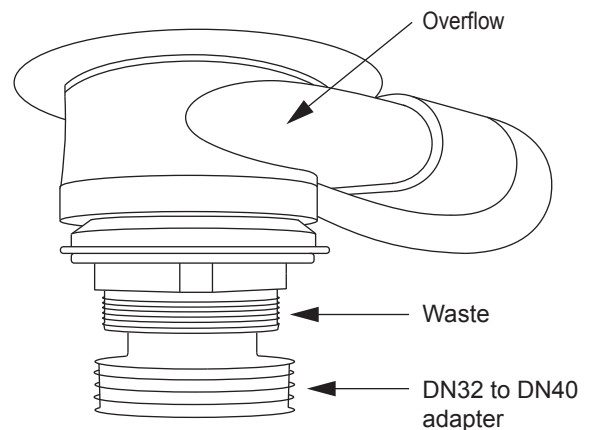
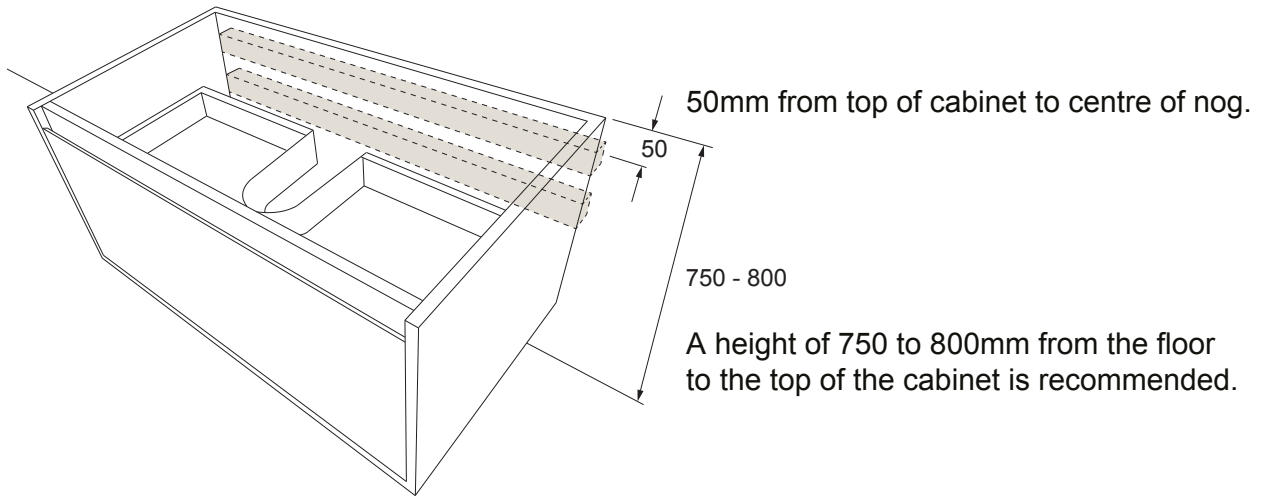


Fig. 1

NOTE: The hot and cold water supplies must be installed with isolating valves.

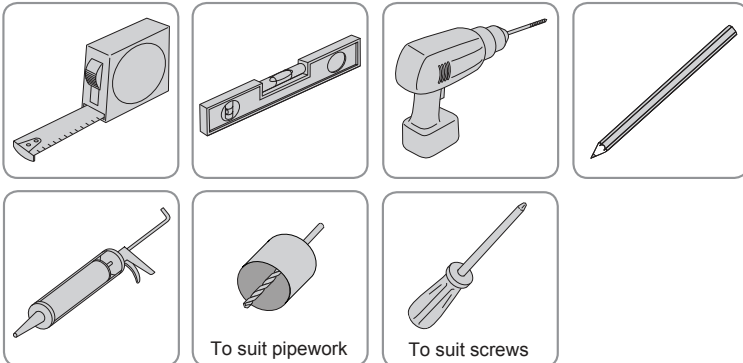
CONSTRUCTION REQUIREMENTS

Toobi II cabinets must be fixed to two nogs in the wall, the nog size should be 50 x 75mm.

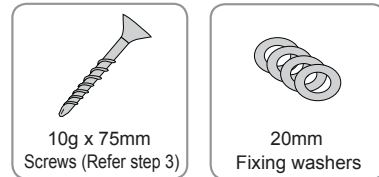


TOOLS & MATERIALS REQUIRED - (Not Supplied)

TOOLS



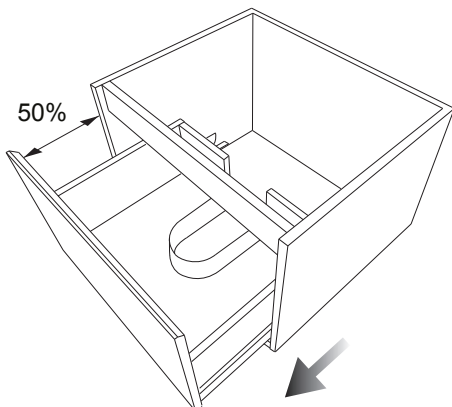
MATERIALS - Not supplied & must be purchased separately



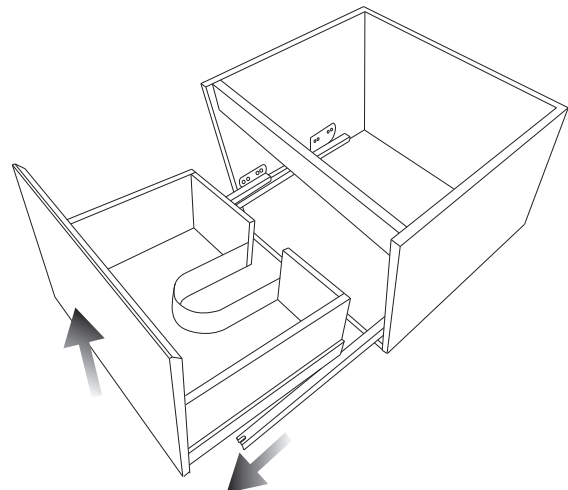
INSTALLATION

1 Drawer removal

(a) Open the drawer until at least 50% of the drawer extends past the cabinet carcass.



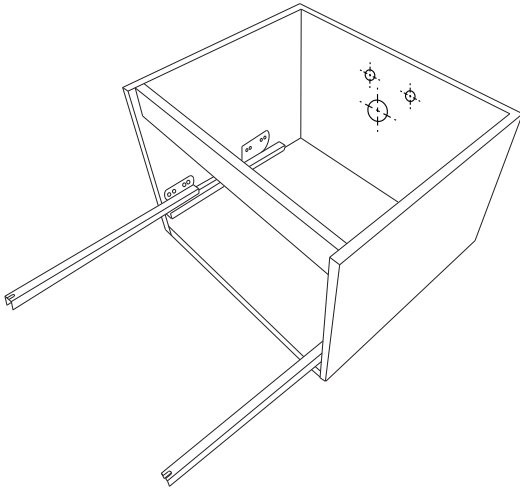
(b) Pull & lift up the drawer until it detaches from the rails.



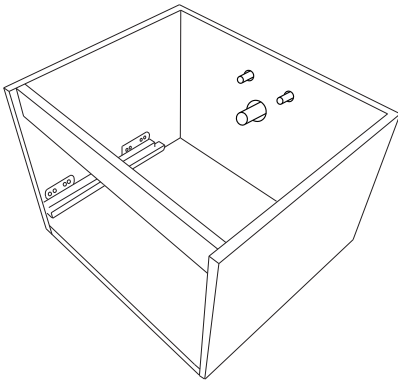
INSTALLATION

2 Water supply and waste pipe holes

- (a) Measure and mark the centres for water supply & waste pipes on the back of the cabinet. With a suitably sized hole saw drill the holes for the water supply and waste.



- (b) Having drilled the required holes, fit the cabinet into position over the pipework.



3 Fixing the vanity to the wall

- (a) Before fastening the cabinet make sure that it is sitting level and square.
- (b) Fix the cabinets to the wall using screws (min 10g x 75mm) and *20mm washers.
- (c) Screws should be placed in an evenly spaced pattern as shown in Fig. 2.

- 600mm cabinets require a minimum of 5 screws
- 900mm cabinets require a minimum of 7 screws

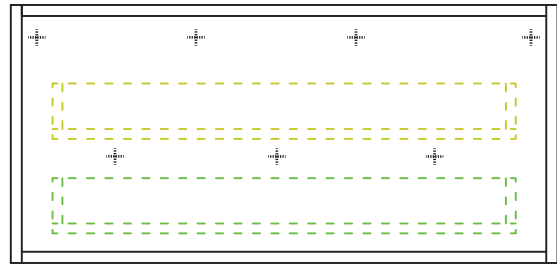
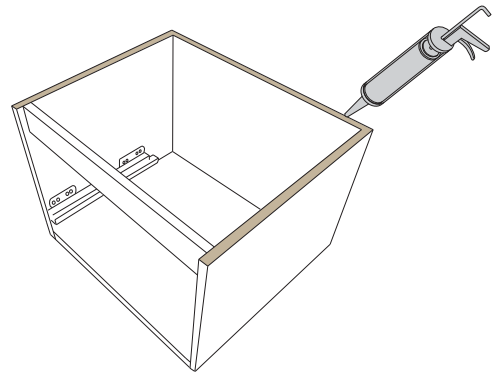


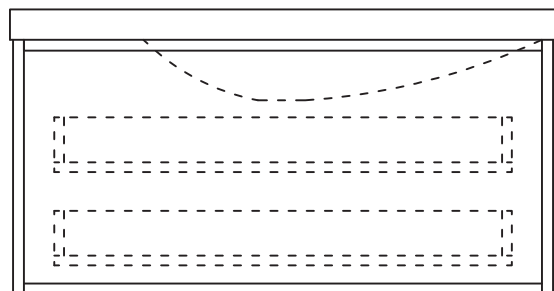
Fig. 2

4 Vanity Top Installation

- (a) Unpack the top and check for any damage that might have occurred in transit. Check and confirm the fit of your selected tapware. Please disregard the supplied fixing kit.
- (b) Apply a continuous bead of silicone (not supplied) to the top edge of the cabinet sides and back. Ensure there are no gaps in the sealant bead. This will ensure the top stays securely fitted to the cabinet and no water spillage will find its way into the cabinet.



- (c) Place the vanity top onto the cabinet ensuring that the back is flush against the wall and there is an even overhang on either side of the cabinet.



- (d) Wipe off any excess sealant.

INSTALLATION

5 Waste & Tapware

- (a) Fit the tapware. Connect the water supply to the taps and waste pipe to the waste outlet.
- (b) Run hot and cold water and check for leaks. When satisfied with the results move on to the next section.
- (c) Ensure the drain and faucet assembly is as shown in Fig. 3.

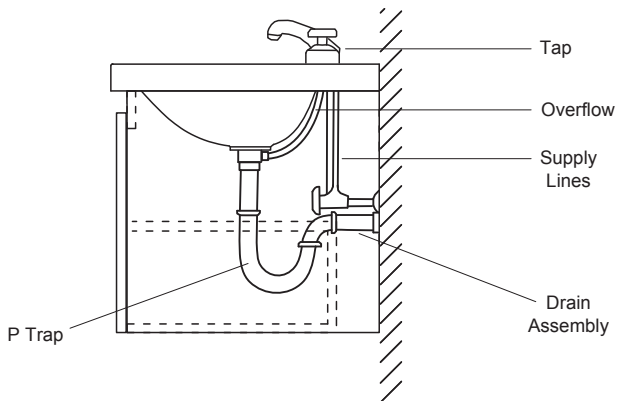
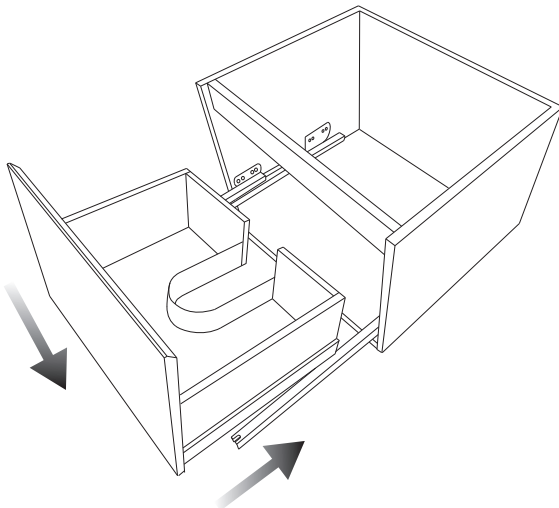


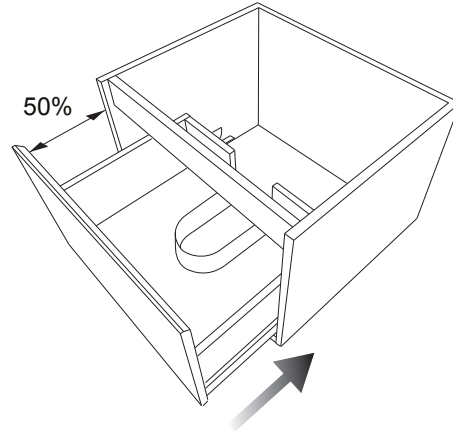
Fig. 3

6 Drawer re-installation

- (a) To re-install the drawers, extend the runners and place the drawer onto the runners.

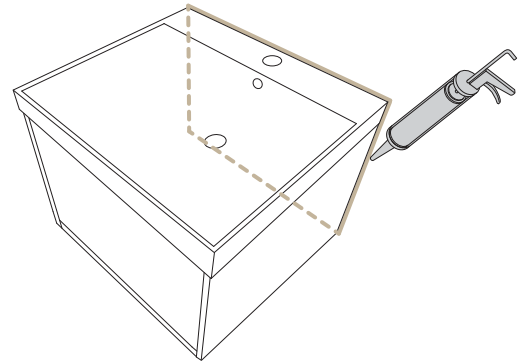


- (b) Gently push the drawer back until you hear the runners click into place.



7 Sealing

- (a) All edges **MUST** be sealed with an approved Silicone Sealant.
 - Between cabinet and wall
 - Between the vanity top and wall



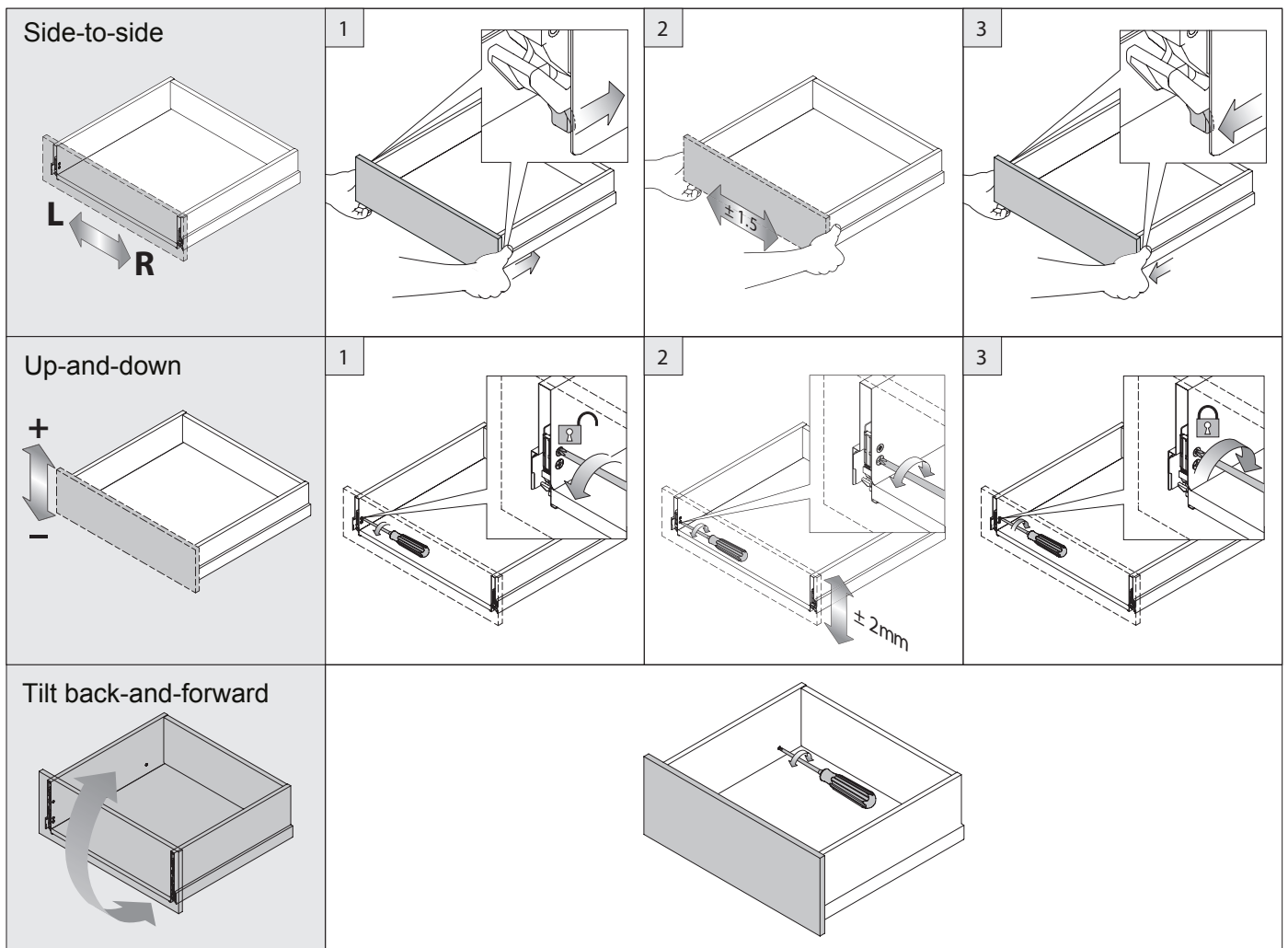
INSTALLATION COMPLETE

Please visit our website for warranty information:

Kohler NZ
www.kohler.co.nz

Kohler Australia
www.kohler.com.au

DRAWER ADJUSTMENT



USER MAINTENANCE

1) Regular cleaning of your Kohler product is recommended and will help to avoid the build up of dirt and grime that can damage and reduce the life of the product.

2) Do not use cleaning products containing:

Abrasives
Alcohol

Citrus
Harsh chemicals & disinfectants

Acid or alkaline
Bleach

Solvents
Ammonia or peroxides

3) Recommended cleaning procedures:

Toobi Vanity Tops: Use non abrasive soap and water. It is recommended that the product surface is wiped dry after each use to prevent the build up of soap and scum.

Toobi II Cabinets: Take care to dry up water spillage onto the cabinets surfaces. To maintain the finish on your cabinets, clean with mild soapy water and dry with a soft cloth.

CAUTION
Material used in cabinet is highly water resistant but not waterproof.
Care must be taken to clean up all water spillage.