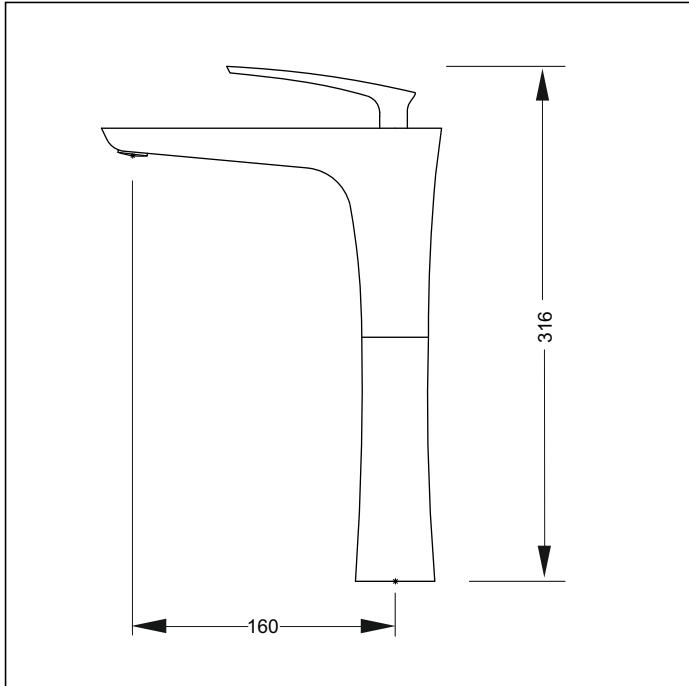


JaJa

Vessel Mixer



Code: JJ VM

Finish: Chrome

Spout: Cast brass. Fixed

Aerator supplied

Mechanism: Standard European mechanism (Ceramic mechanisms available on request)

Stainless Steel Inlet Hoses:

Hot: Size: M10 x 1/2" BSP
Length: 400mm

Cold: Size: M10 x 1/2" BSP
Length: 400mm

Mounting Hardware: Stud: Brass tube and back nut

Installation Hole Diameter: Minimum: 32mm
Maximum: 42mm

Base Ring supplied with O-ring seal

Cartridge: Sedal 35mm Plus High O Ring

aquatica



KIWI OWNED COMPANY

NZ

• DESIGNED
• ASSEMBLED
• TESTED



Suitable for low/unequal & mains pressure systems

Recommended Operational Pressure Range: 35 - 600 kPa
Maximum Operating Temp: 80°C Never to Exceed: 1000 kPa



Aquatica NZ Limited

9 Saunders Place,
Avondale, Auckland.
Tel: 09-828 2068,
Fax: 09-828 2069
Email: info@aquatica.co.nz
or visit our website:
www.aquatica.co.nz

© copyright Aquatica 2019

Please note: Specifications are subject to change without notice. It is the responsibility of the installer to check the measurements of the physical product before installation