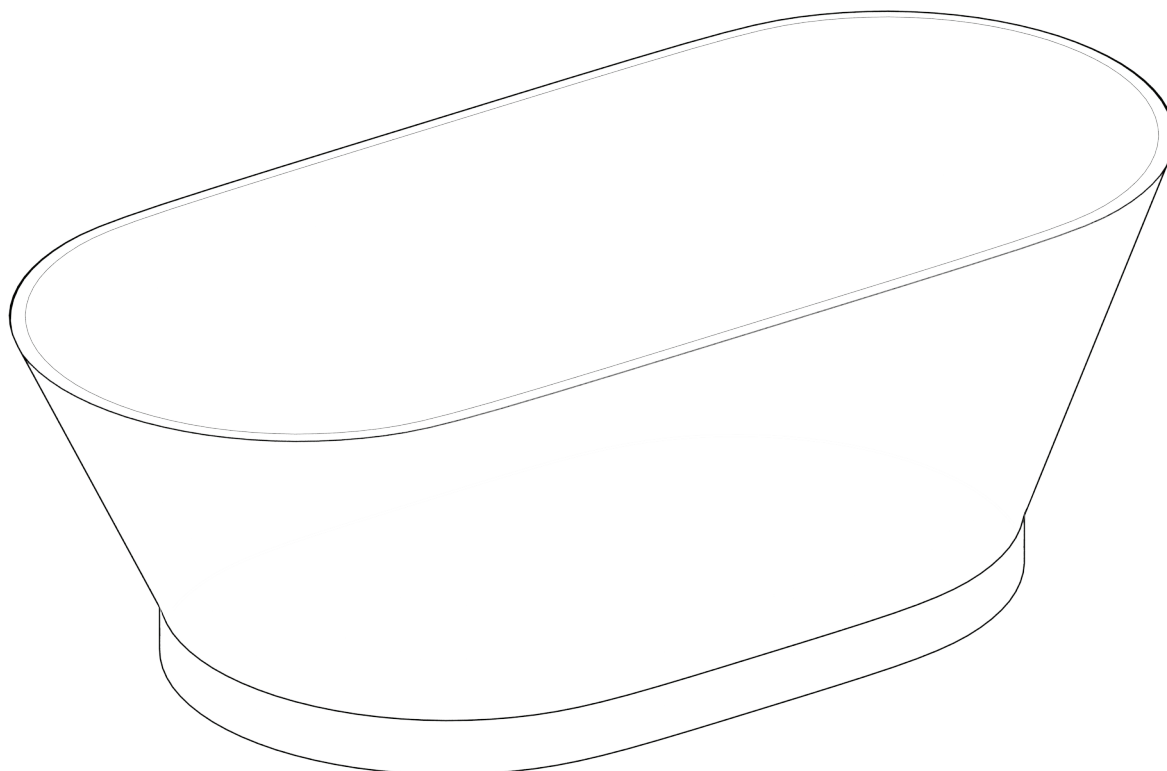


INSTALLATION INSTRUCTIONS

FREESTANDING & BACK TO WALL BATHS

progetto
DESIGN COLLECTION



IMPORTANT!

Please read these instructions **prior** to installation

Distributed by:

Plumbline

T 04 568 9898 E sales@plumblin.co.nz
www.plumblin.co.nz

Care & Conditions Of Use

Clean your bath with a damp cloth and a non-abrasive liquid cleaner. Stubborn stains and scratched can be removed with a light application of Brasso or a similar cutting compound. Avoid abrasive cleaners, solvents, heat and sharp objects. The use of cleaners incorporating ingredients which have been identified as harmful effects on acrylic will void the warranty.

NOTE TO THE OWNER/USER:

This product is made from a durable & robust material that will give you years of use. However please note the following to avoid damage to your product:

- After each use thoroughly clean the surface with warm soapy water.
- Before applying cleaning products to the surface carefully read all instructions first.
- Do not use products that contain:
 - Alcohol
 - Bleach
 - Solvents
 - Bath oils/salts
 - Hair dye
 - Abrasives
 - Acetone
 - Citrus based chemicals
- Do not allow water temperature to exceed above 55°C.

General Installation Instructions

IMPORTANT

Please unwrap the bath and check it carefully to ensure it has not been damaged during handling or transport, and check that all parts have been supplied.

It is recommended that the bath is assembled (if required) on a mat to protect against damage to the bath surface. Store the bath in a safe place until you begin installation.

Installation should be carried out by a qualified, licensed tradesperson.

These installation instructions do not include details of the waste and trap connection; decisions and installation of the waste and trap connection should be carried out by a qualified, licensed tradesperson.

WASTE & TRAP

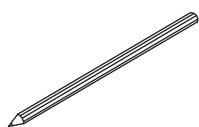
The illustrations in this guide show installation using a low profile trap and top fix pop up waste as shown. This type of waste and trap is recommended for ease of installation.

Plumline Pop Up Bath Waste 40mm Top Fix
UD427

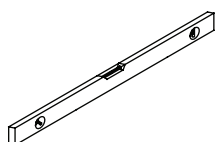


Plumline Low Profile Bath Trap
AS078K

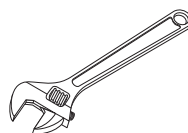
Tools Required For Installation



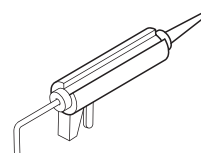
Pencil



Level

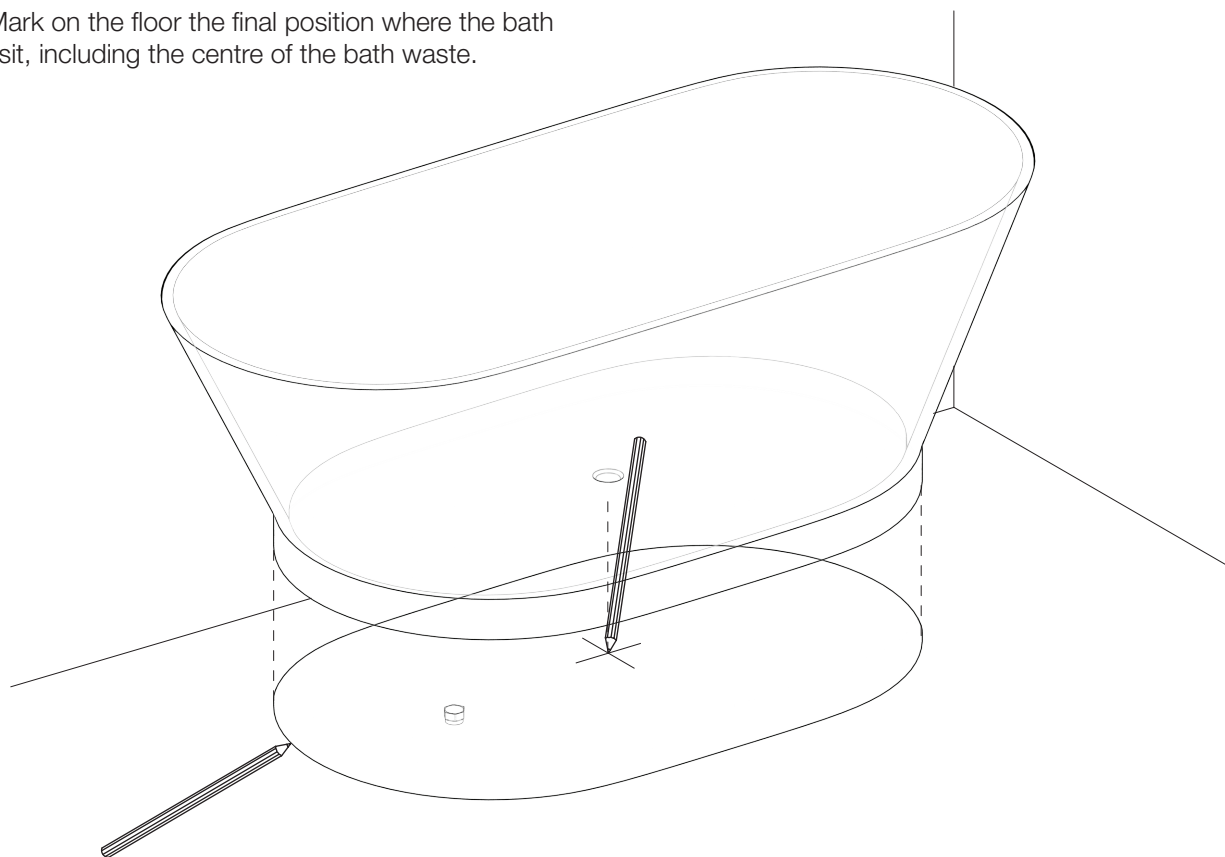


Adjustable Wrench



Caulking Gun/Silicone

1. Mark on the floor the final position where the bath will sit, including the centre of the bath waste.



2. Remove the bath and connect the waste in position.

Note: The illustrations in this guide show installation using a low profile trap and top fix pop up waste, providing they will fit in the cavity underneath the chosen bath. (see figure 1). If you are using a conventional PVC waste you will need to allow space underneath the bath for connection (see figure 2).

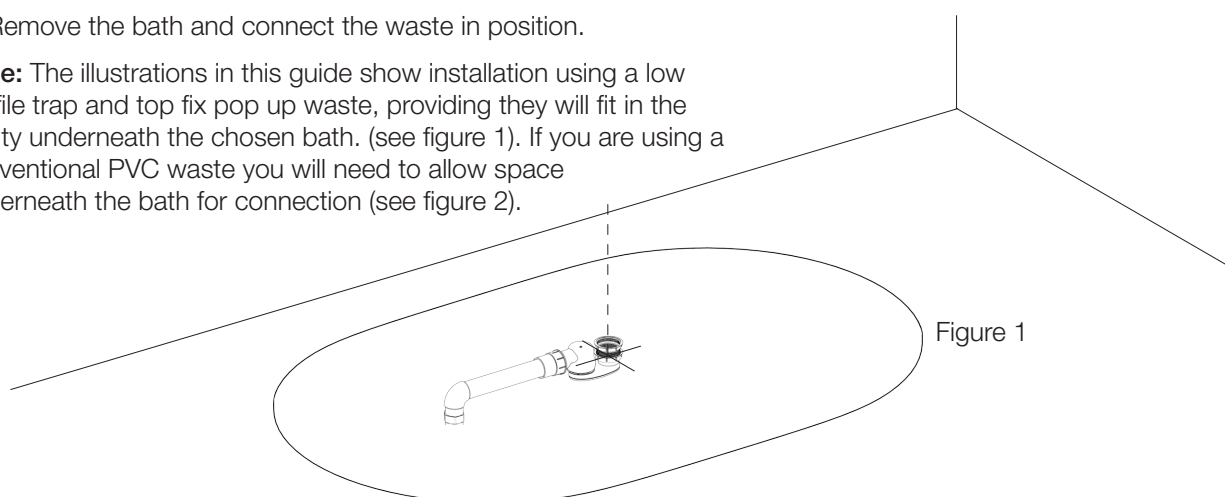


Figure 1

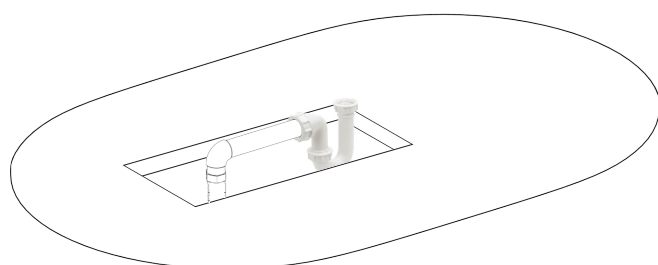
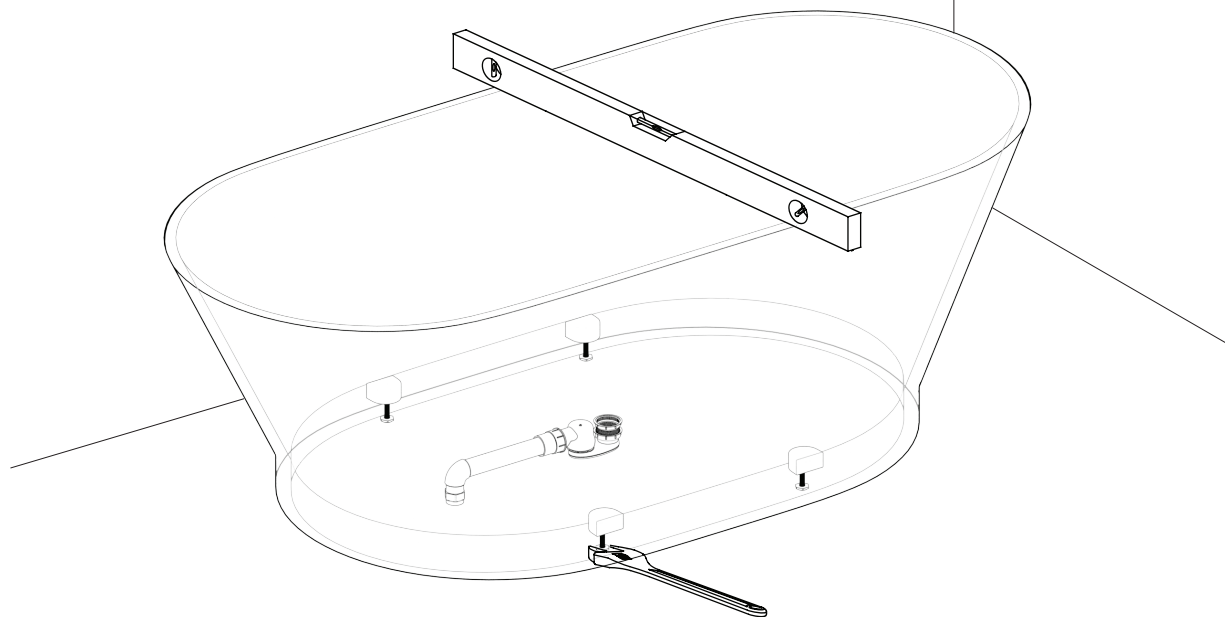


Figure 2

3. Place the bath back into position and adjust the feet using an adjustable wrench. Adjust sufficiently so as to remove any wobble in the bath, at the same time ensuring the bath is sitting level and as close as possible to the floor.

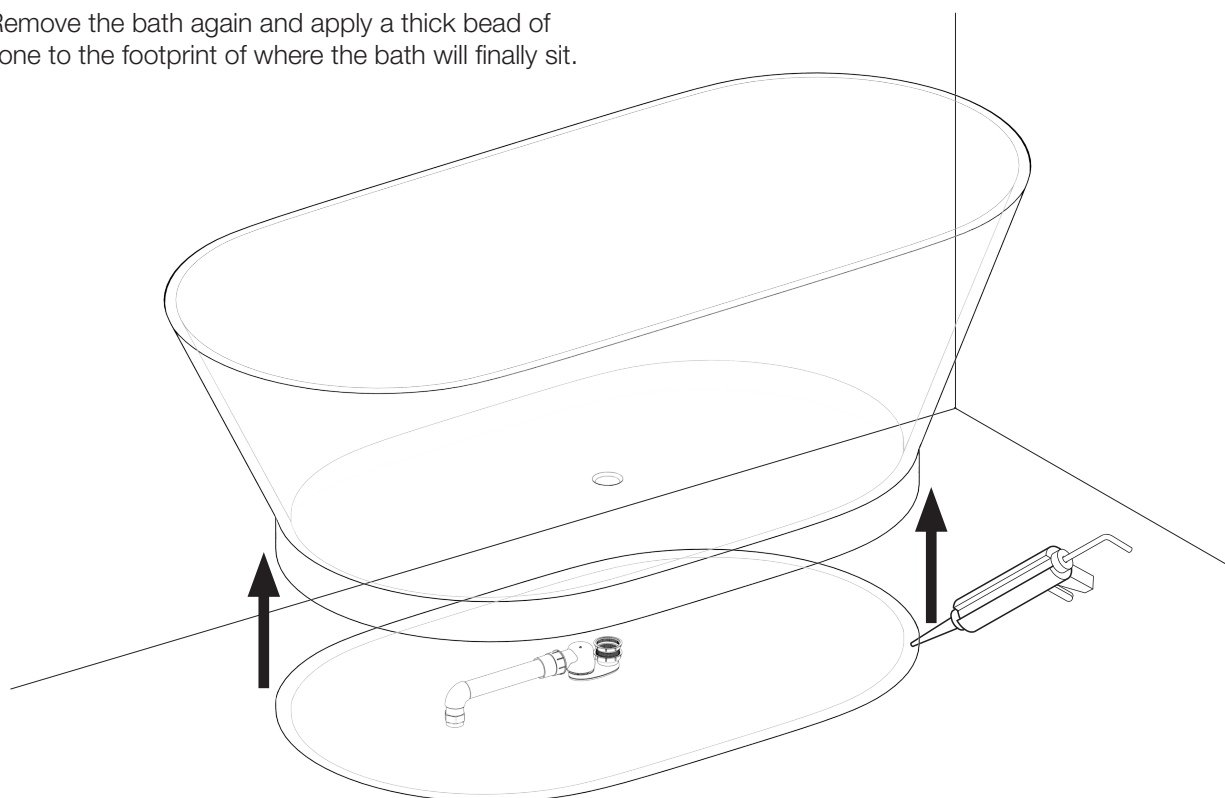
Note: To undertake this procedure you will need to tilt the bath over to access the feet, and then lower it again to check the stability/level.



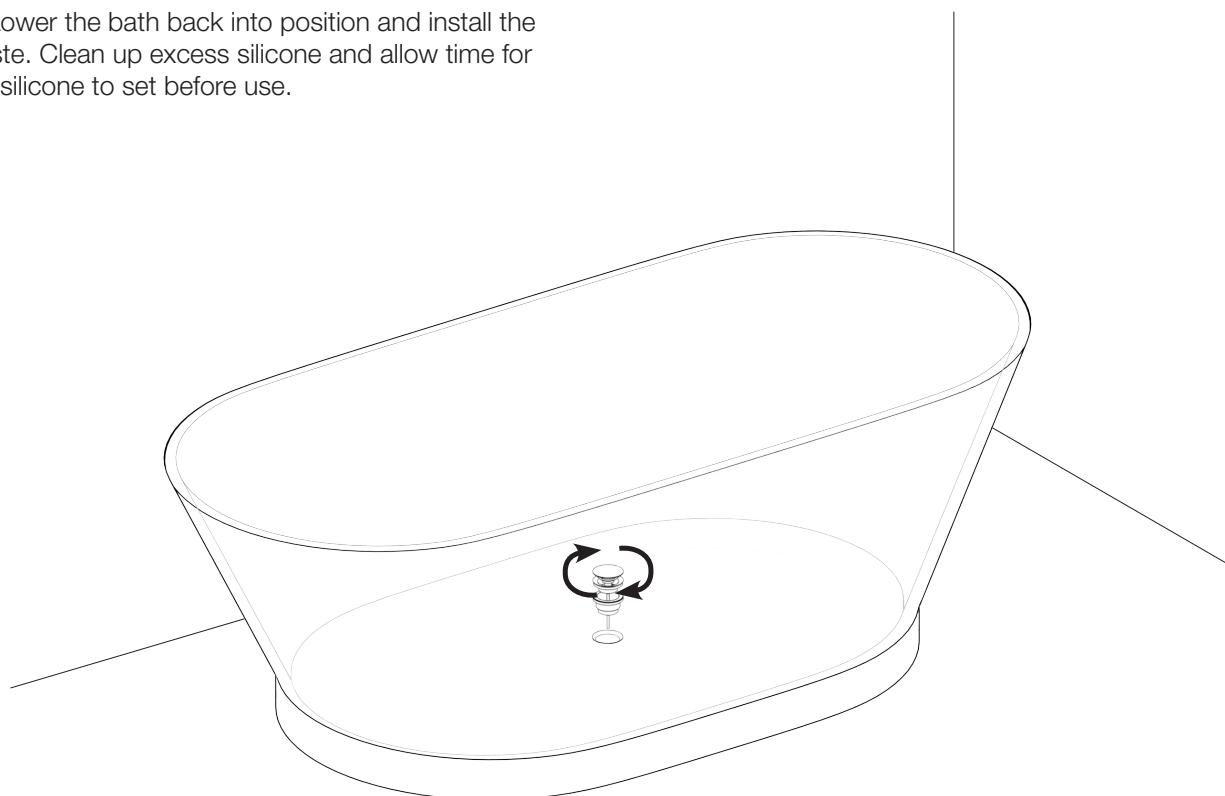
IMPORTANT!

This procedure is to secure the bath in place so that it doesn't move or tip.

4. Remove the bath again and apply a thick bead of silicone to the footprint of where the bath will finally sit.



5. Lower the bath back into position and install the waste. Clean up excess silicone and allow time for the silicone to set before use.



Warranty Information

- Stone Baths: Ten (10) Year warranty from date of purchase.
- Acrylic Baths: Five (5) Year warranty from date of purchase.

Plumblin will undertake to replace free of charge any faulty product due to defects in materials or manufacturer workmanship within the warranty period (Proof of purchase must be retained). Plumblin will also supply parts and labour costs for the replacement or repair of any faulty product within One (1) Year of installation date.

Plumblin (or their approved retailer) reserve the right to assess, repair, replace or service any warranty claims as they see fit.

The above warranties are upheld providing the products have been used for normal domestic only and exclude any defect or injury caused by or resulting from misuse, abuse or neglect, accidental damage, improper installation or other alterations or modifications which affect the reliability or performance of the item not attributed to faulty manufacture. The above warranties do not apply to the replacement of products where damage is caused by normal wear and tear, where the hot water temperature exceeds 55°C or where the warranty claim has not been notified to Plumblin (or their approved retailer) within ninety (90) days of the problem first appearing.

The above warranties do not include consequential loss or damage due to the product.

IMPORTANT NOTE: Under no circumstances tile Back To Wall Baths 'into' the wall.

The warranty does not cover any Back To Wall Bath that has been tiled 'into' a wall i.e., fitting or fixing a vanity to a wall and tiling into the side and around it, and/or tiling down and/or around the vanity top. Back To Wall Baths must be fitted to finished wall coverings.