

# INSTALLATION GUIDE

FELTON

## AXISS RAIN SHOWER COLUMN AXRSCC

### SYSTEM REQUIREMENTS

To ensure the optimum performance and customer satisfaction please adhere to the following:

- Flush out all pipe work prior to installation.
- Maximum hot water temperature is 60°C. If the water temperature exceeds 60°C an approved tempering valve must be fitted.
- Installation should comply with relevant local authority requirements.
- In accordance with good plumbing practice, filters should be fitted to supply lines to eliminate damage to the ceramic cartridge from suspended solids.
- AS/NZS 3500.1 states that pressures above 500kPa can cause damage from water hammer, reduce the life of appliances, taps & fittings, cause excessive noise in the system and recommend that a pressure limiting valve (PLV) be fitted.

#### MAXIMUM STATIC PRESSURE

Maximum static pressure 500kPa. If water pressure exceeds or is likely to exceed 500kPa, an approved pressure limiting valve must be fitted.

#### MINIMUM STATIC PRESSURE

Minimum static pressure 150kPa. To ensure optimal performance the static pressure must be greater or equal to 150kPa.



**Failure to comply with the above will void warranties.**

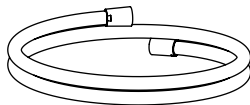
### WHAT IS IN THE PACK



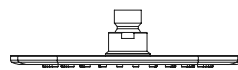
2 x Wall Anchors



2 x Screws



1 x Hose



1 x Rain Head



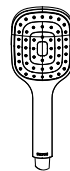
2 x Flow Restrictor & Sleeve



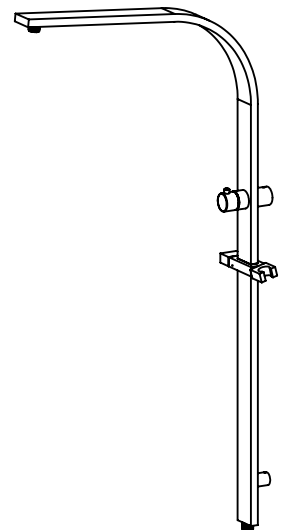
Chrome Flange (Diverter Valve)



Bottom Chrome Flange

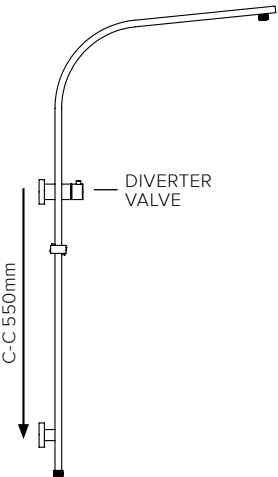
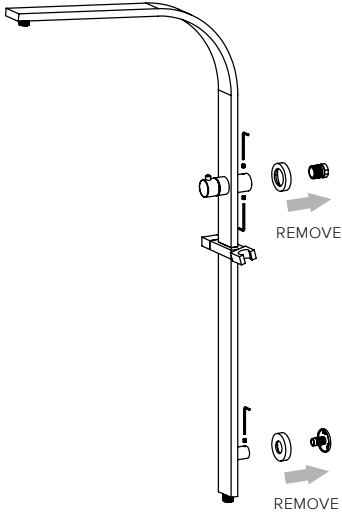
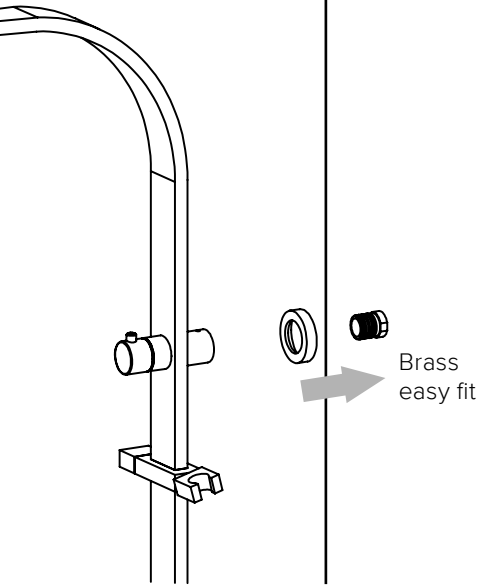
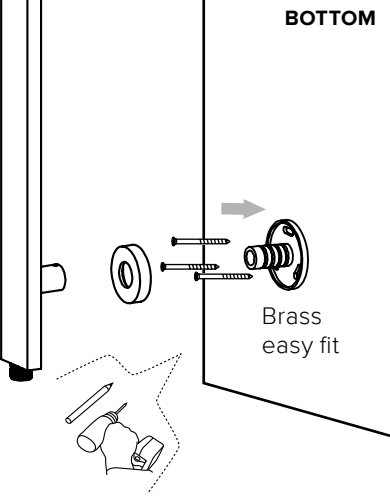
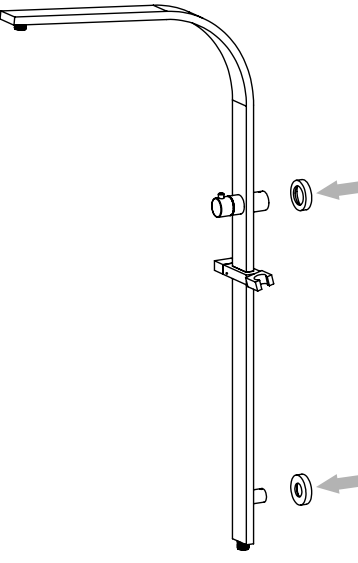
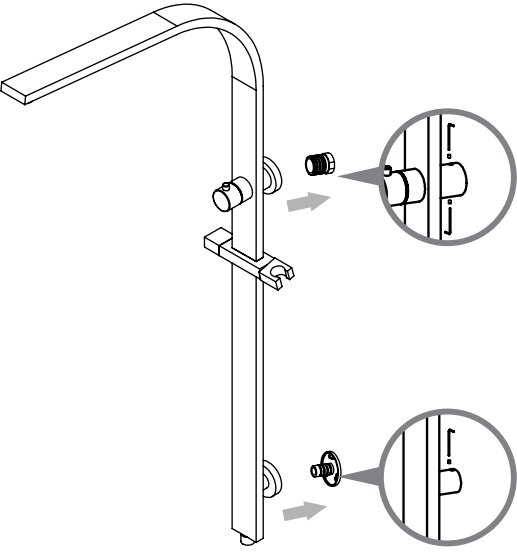


1 x Single Spray Handpiece



1 x Rail & Arm

HOW TO INSTALL

 <p>Mark down vertical of 550mm from centre of water outlet.  <b>Warning:</b> Ensure no water pipe or power cable in wall at this location.  <b>IMPORTANT:</b> The threaded water outlet must not protrude more than 10mm from wall face. Apply thread seal tape to water outlet.</p> <p>1.</p>	 <p>Loosen grub screws on body of diverter valve and lower mounting bracket and withdraw the brass easy fit.</p> <p>2.</p>	<p style="text-align: right;"><b>TOP</b></p>  <p>3. Screw the top easy fit onto water outlet till it is flush against the wall face.</p>
<p style="text-align: right;"><b>BOTTOM</b></p>  <p>Then mark and use screws to fasten bottom easy fit into place.  <i>(If installing into concrete, use toggles provided. Squeeze to close each toggle and push in until flush with the wall).</i></p> <p>3.</p>	 <p>4. Fit chrome flange onto top and bottom bracket.</p>	 <p>5. Fit the entire assembly onto wall by tightening the grub screws on the bottom and top mounting bracket.</p>

