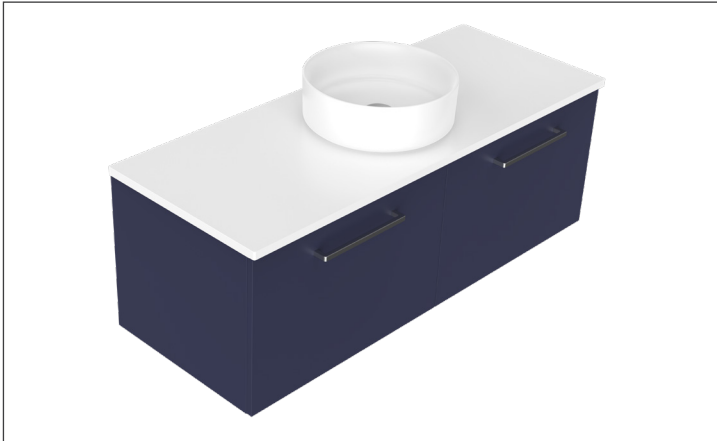


# SPECIFICATION SHEET

## Harrow Luxe 1200 2-Drawer Single Basin Wall Hung Vanity

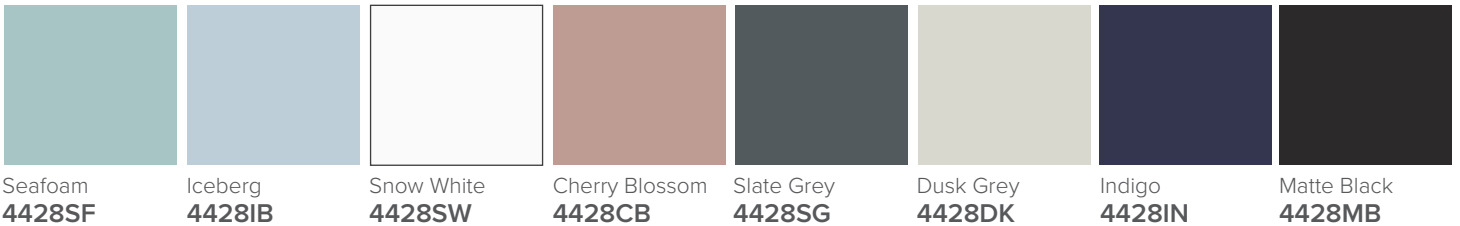


### Features

- 2-Drawer Wall Hung Vanity - *Colour options below*
- Full Extension Soft Close Drawers with Handles - *Handle upgrade options available*
- Dimensions: H420 x W1200 x D465
- Slab Top Options:  
20mm StoneCast Top or Quartz Slab Top

*Note: Vessel basins are purchased separately.  
Visit [www.newtech.co.nz](http://www.newtech.co.nz) for the full range of vessel basin options.*

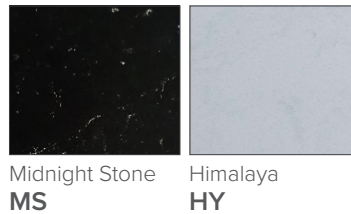
### Cabinet Options



### StoneCast Slab Top Options



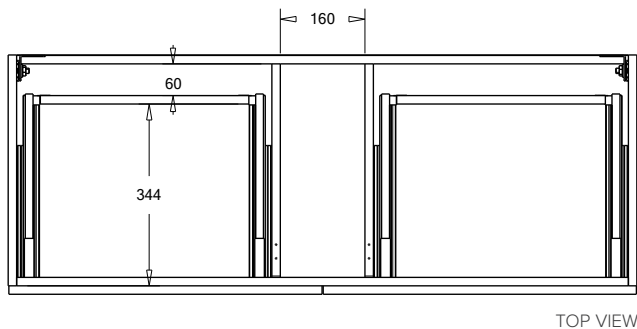
### Quartz Slab Top Options



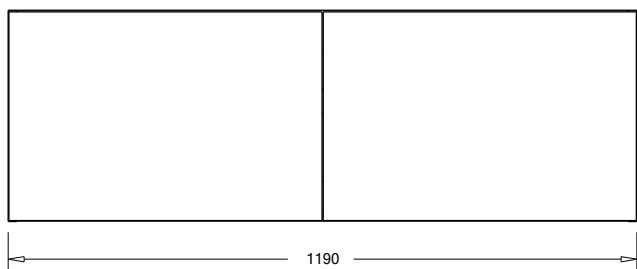
*Note: To order a Slab Top, add the Slab Top code to the cabinet code*

### Technical Details

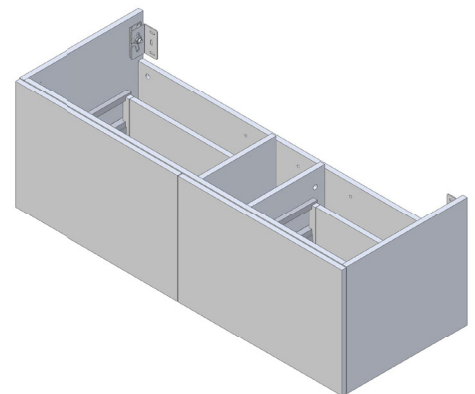
*Note: All measurements shown are in millimetres. Sizes are nominal.*



TOP VIEW



FRONT VIEW



SIDE VIEW