

# SPECIFICATION SHEET

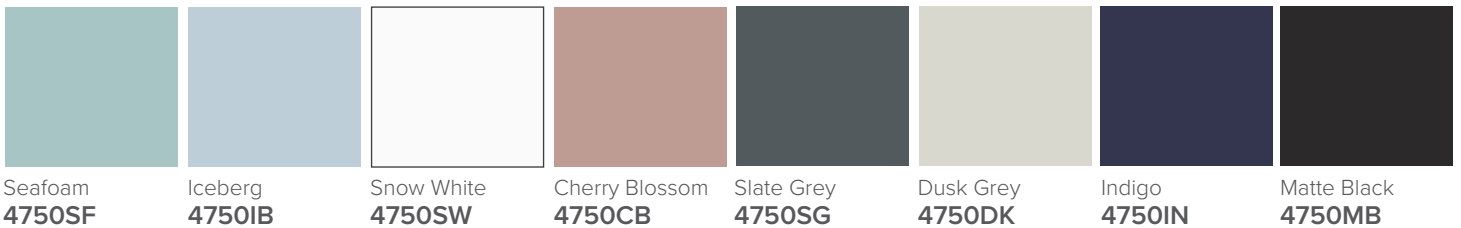
## Francisco 600 2-Drawer Wall Hung Vanity



### Features

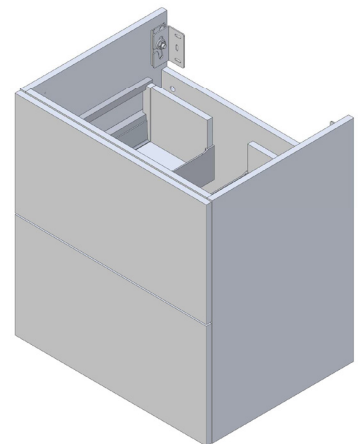
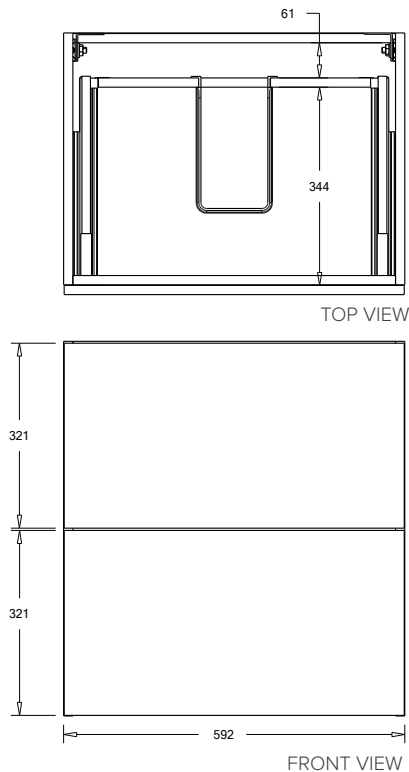
- 2-Drawer Wall Hung Vanity - *Colour options below*
- StoneCast 20mm Via Basin [Standard]  
- *Upgrade options available*
- Full Extension Soft Close Drawers with Handles  
- *Handle upgrade options available*
- Designer Drawer Fronts - *Four Drawer Front options*
- Dimensions: H670 x W600 x D465

### Cabinet Options



### Technical Details

Note: All measurements shown are in millimetres. Sizes are nominal.



# SPECIFICATION SHEET

## Francisco Designer Drawer Fronts

**BARNESLEY**  
18mm Inset Frame  
Code: BL



**PRESTON**  
60mm Inset Frame  
Code: PT



**TURNBERRY**  
Ripple Design Panel  
Code: TB



**NEWPORT**  
V-Groove Panels  
Code: NP



Seafoam



Iceberg



Snow White



Cherry Blossom



Slate Grey



Dusk Grey



Indigo



Matte Black