

Tall Basin Mixer

FLOVA®



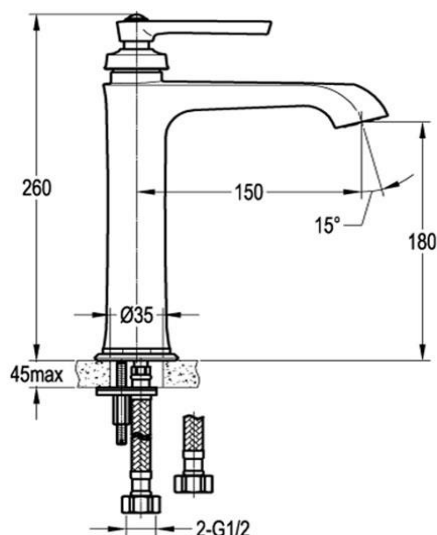
FWL9809ACP

Liberty Tall Height Basin Mixer Chrome

180mm aerator height x 150mm reach

Recommended working pressure 200 - 500kPa (balanced)

Sedal ceramic disc cartridge (Made in Spain)



CARE AND USE

Chrome

The chrome finish is smooth, abrasion resistant, corrosion resistant, fade-proof and easy to clean. It is a hard wearing surfaces that wont chip, peel or tarnish with normal use. All surfaces should be regularly wiped clean with non scouring, neutral wash solutions. Never use an abrasive cleaner.

LIMITED PRODUCT WARRANTIES

To be read in conjunction with and subject to all terms and conditions contained in the Waterware 'Producer Statement' available on-line (<http://www.waterware.co.nz/media-downloads>) From date of purchase, Waterware Services warrants products from the following categories to be free from manufacturing defect subject to exclusions (if applicable):

Category	Domestic Installations	Commercial Installations	Exclusions	Wels
Tapware 10 year conditional warranty	5 years parts and labour, 6-10 years parts only	1 year parts and labour	Handshowers and Hoses	5 Star 5L/min