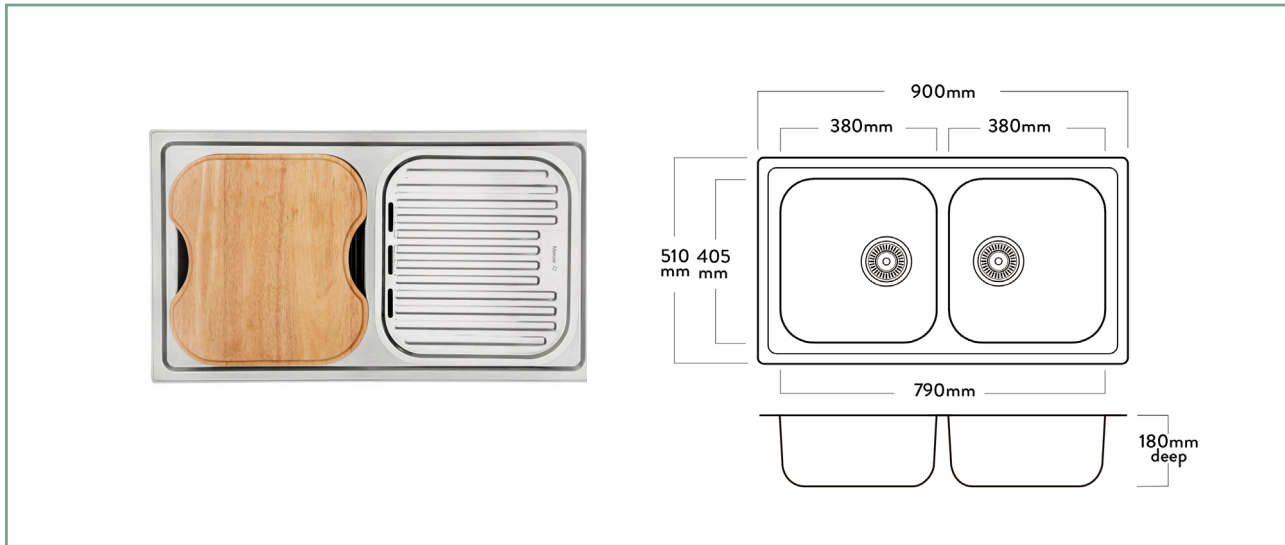


## EW203 WENTWORTH DOUBLE BOWL INCL ACCESSORIES

The Mercer EW Series stainless steel bowl and drainer are a stylish addition to your project.

The EW203 double bowl is reversible and has an easy clean unobtrusive laser edge. It also comes standard with a 90mm round basket waste and a main bowl overflow.

A range of matching accessories are also included for the EW203, this sink comes with including a food board, a dishrack and a draining tray.



### SPECIFICATIONS

**Code:** EW203

**Type:** Top mount, Undermount, Weld in

**Bowl size:** 380 x 405 x 180mm + 380 x 405 x 180mm

**Bowl configuration:** Double bowl with drainer

**Overall size:** 900 x 510 x 180mm

**Material:** Stainless steel

### FEATURES

2 x 90mm round basket waste

Overflow main bowl 15l/min capacity

Laser edge flange

Sound deadening

15l/min overflow

Reversible

## ACCESSORIES INCLUDED



AD175  
Dishracks



AF275  
Chopping Boards