

Englefield™ Electronic Bidet Seat Plus

A modern bidet seat that can be installed to a variety of Englefield and other toilets. Designed to deliver the finest in hygiene, safety and comfort for the whole family.



Colour/Finish White

Material Polypropylene

- Included Components**
- Electronic bidet seat with fixing kit
 - LCD display remote control & wall mount bracket
 - Ionic water filter
 - Water supply hose
 - Installation instructions & Quick start user guide
 - Low-medium hazard backflow prevention device complying with AS/NZS 2845.1

- Features**
- Automatic opening/closing lid for cleaner control
 - S/S wand auto-cleanses before and after each use
 - Hybrid heater technology provides instant and unlimited warm water for consistent comfort
 - Adjustable nozzle position, water temperature, and water pressure
 - Oscillating wash covers a wider area of cleansing
 - Turbo setting produces a massaging effect as water moves back and forth
 - Auto/Child cleansing setting is convenient for the elderly or children
 - Heated seat with adjustable temperature levels and warm air dryer
 - Powerful, chemical-free, carbon filter air deodorizer automatically minimizes odors
 - S/S wand contains an antimicrobial finish which inhibits the growth of mold, mildew, stain and odor causing bacteria on the nozzle surface
 - Two-stage energy-saving feature

Notes:

- Must be installed with RCD or GFCI electrical protection.
- Must be installed to a water supply pressure between 220-500kPa.
- Maximum user weight 120kg.
- Water filter should be replaced every 6 months, part # DH97-00552C.
- Must be installed in compliance with AS/NZS 3500.1, which requires provision of a High Hazard Backflow Prevention device (not supplied).
- This product does not protect users against bacteria, viruses or other disease organisms. Always clean and wash this product thoroughly before and after each use.

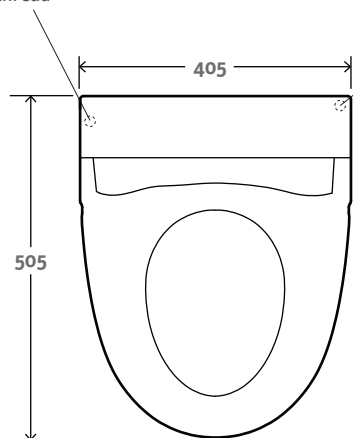
Product	Code
Electronic Bidet Seat Plus	31258A-0

Top View

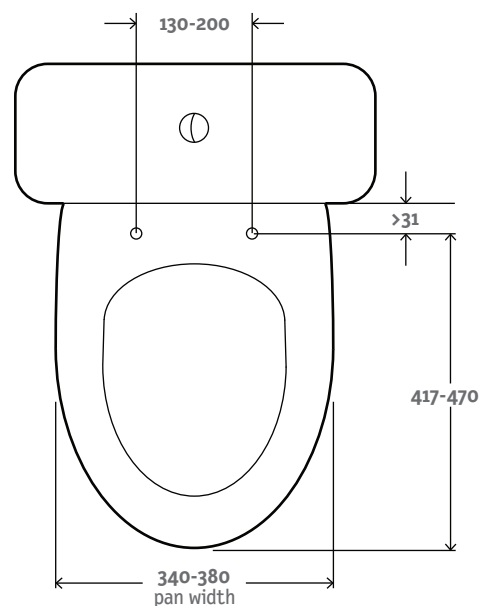
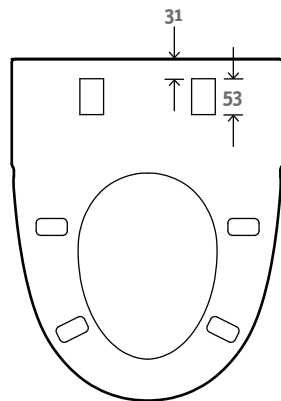
Underside View

Compatible Toilet Pans

Water Inlet
G1/2" thread



Power Cord



Trusted in New Zealand Since 1982

New Zealand

133 Diana Drive, Glenfield, Auckland, NZ
 PO Box 100-146 NSMC, Auckland, 0745
 Ph: 0800 100 382 Fax: 0800 66 44 88
 www. englefield.co.nz

All measurements shown are in millimetres.
 1447726-A04-A

July 2021