

Sapphire™ Alcove Pivot Shower with Low Profile Tray

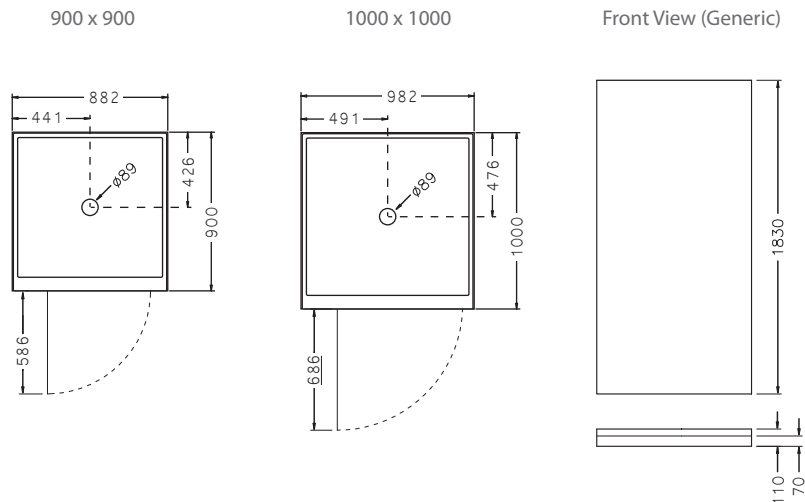
Available in a range of sizes and wall options, the Sapphire Alcove Shower is extremely versatile. Features a fully reversible door with 4mm toughened safety glass, and full length magnetic door seals. The Quick-Fit® Low Profile tray features an ultra high 40mm up-stand to enhance water tightness for long lasting performance.



Note: Tapware and accessories illustrated in photography are not included

- Colour/Finish** White Frame
- Material** Duracryl® Acrylic Walls
Tray - fibreglass reinforced acrylic
White fully framed finish - powder coated aluminium,
Glass door - 4mm toughened safety glass (AS/NZS 2208 compliant)
- Shower Height** 1900mm including tray
- Included Components** Sapphire Door
Duracryl Acrylic Wall flat or moulded
Quick-Fit Low Profile Tray
Easy Clean DN40 Trap in Chrome (NZ) or Hi Flow DN50 Waste in Chrome (AUS)
Adhesive and Sealant pack (NZ only)
- Optional Accessories** Hi-Flow Waste Outlet

Product Code	900 x 900mm	1000 x 1000mm
Corner Contour Wall	13922A-0	13919A-0
Flat Wall	13923A-0	13920A-0



All measurements shown are in millimetres.
Sizes are approximate.
1183728-A04-C February 2020



Trusted in New Zealand Since 1982

New Zealand
133 Diana Drive, Glenfield, Auckland, NZ
PO Box 100-146 NSMC, Auckland, 0745
Ph: 0800 100 382 Fax: 0800 66 44 88
www.Englefield.co.nz

Australia
PO Box 154, Clifton Hill, Vic 3068
Ph: 1800 ENGLEFIELD (1800 364 533)
www.Englefield.com